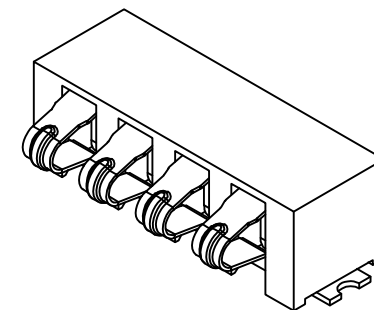


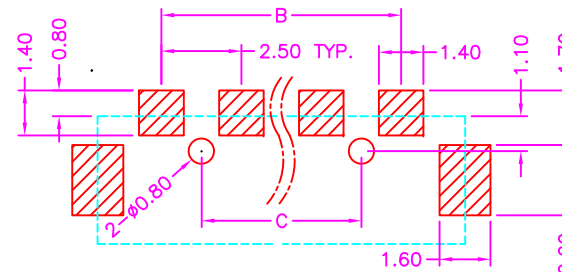
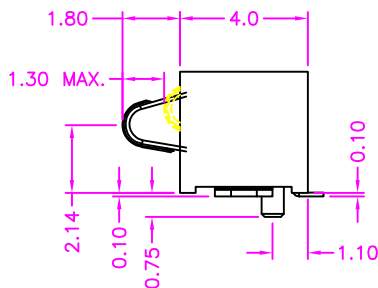
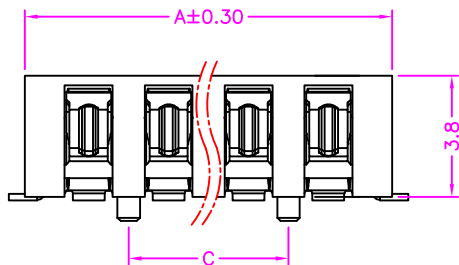
MATERIALS

HOUSING: HI-TEMP. PLASTIC (UL 94V-0), BLACK
 SOLDER PAD: COPPER ALLOY, TIN PLATING
 TERMINAL: COPPER ALLOY, GOLD PLATED

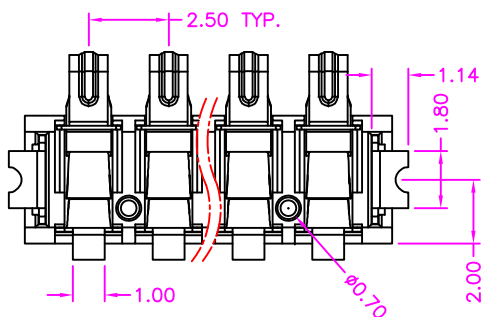


SPECIFICATION

CURRENT RATING: 2 AMP MAX
 VOLTAGE RATING: 12V MAX
 DIELECTRIC WITHSTANDING: 500V AC FOR ONE MINUTE
 CONTACT RESISTANCE: 50m OHMS MAX
 INSULATION RESISTANCE: 1000M OHMS MIN AT DC 500V
 OPERATION TEMPERATURE: -40°C~+85°C



P.C.B. LAYOUT
 TOP VIEW ±0.05



TABLE

POS.	A	B	C
03	9.0	5.0	2.5
04	11.5	7.5	5.0
05	14.0	10.0	7.5
06	16.5	12.5	10.0

PART NUMBER:

ABTGY - * * * - 1 2 2

SERIES

NO. OF POS.
 REF TABLE

TAPE REEL PACKAGE

CONTACT PLATED OPTION

- 1: GOLD FLASH
- 3: 3u" GOLD
- 5: 5u" GOLD
- 6: 10u" GOLD
- 7: 15u" GOLD
- 9: 30u" GOLD