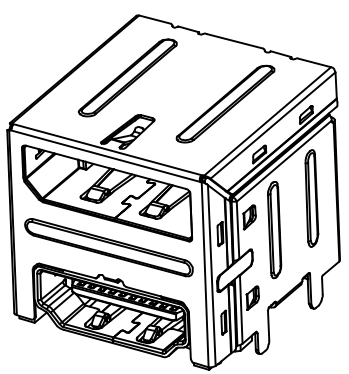
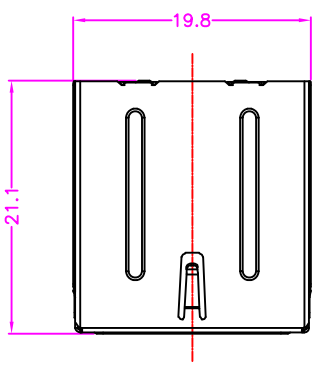


A



**MATERIALS**

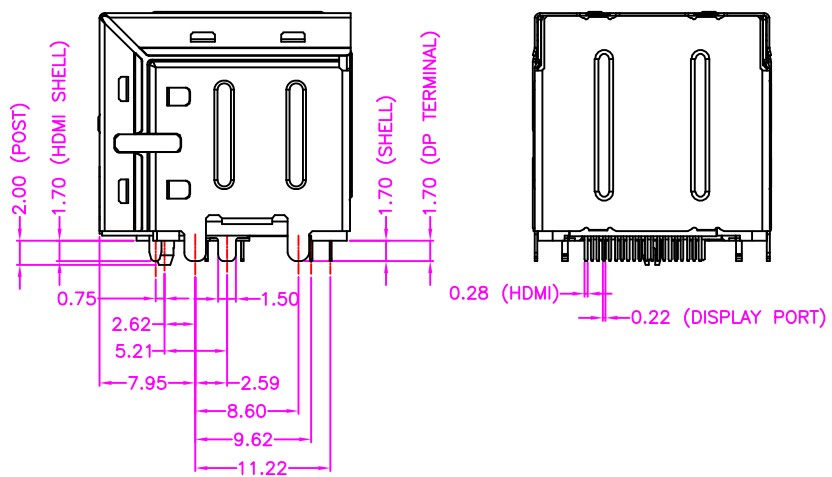
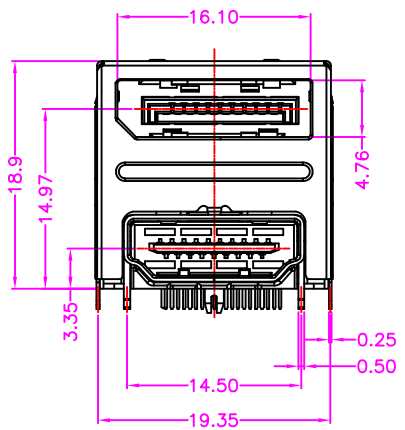
HOUSING:  
 DP: LCP (UL 94V-0) BLACK  
 HDMI: LCP (UL 94V-0) BLACK  
 SHELL:  
 DP: STAINLESS STEEL  
 HDMI: COPPER ALLOY, NICKEL PLATING  
 REAR SHELL: STAINLESS STEEL, NICKEL PLATING  
 TIN PLATING ON SOLDER AREA  
 TERMINAL: COPPER ALLOY, GOLD PLATED ON CONTACT AREA  
 TIN PLATING ON SOLDER TAIL

**SPECIFICATION**

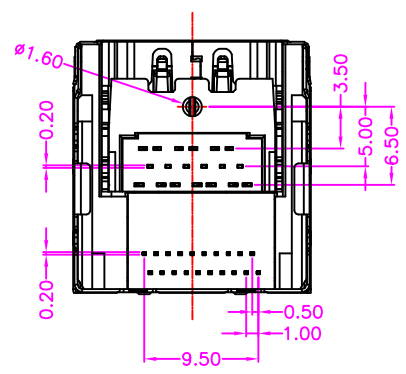
DISPLAY PORT  
 CURRENT RATING: 0.5 AMP MAX  
 DIELECTRIC WITHSTANDING: 500V AC FOR ONE MINUTE  
 CONTACT RESISTANCE: 30m OHMS MAX  
 INSULATION RESISTANCE: 100M OHMS MIN AT DC 100V  
 OPERATION TEMPERATURE: -40°C~+85°C

HDMI  
 CURRENT RATING: 0.5 AMP MAX  
 DIELECTRIC WITHSTANDING: 500V AC FOR ONE MINUTE  
 CONTACT RESISTANCE: 30m OHMS MAX  
 INSULATION RESISTANCE: 100M OHMS MIN AT DC 500V  
 OPERATION TEMPERATURE: -40°C~+85°C

B



C



**PART NUMBER:**

SCDPHD - 3 9 \* T - 7 1 4

SERIES — NO. OF POS. — TIN PLATING ON SOLDER TAIL — TRAY PACKAGE

**CONTACT PLATED OPTION**

- 1: GOLD FLASH
- 3: 3u" GOLD
- 5: 5u" GOLD
- 6: 10u" GOLD
- 7: 15u" GOLD
- 9: 30u" GOLD

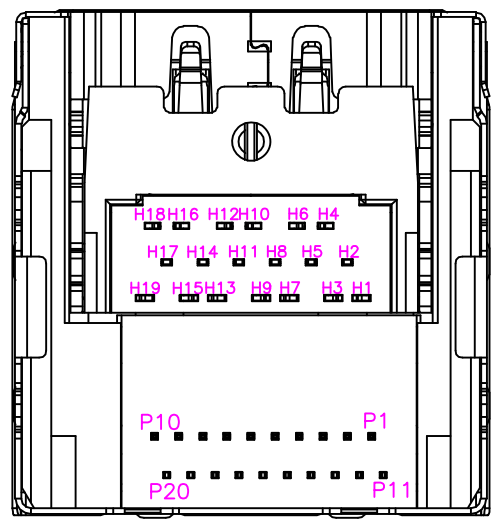
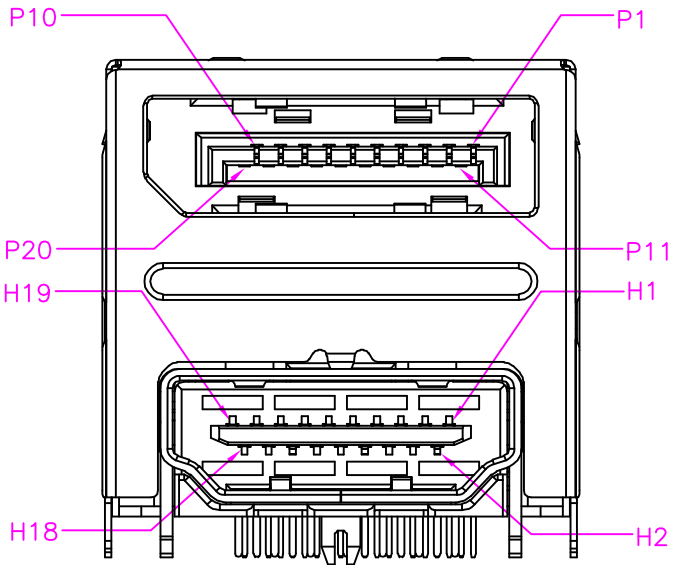
D



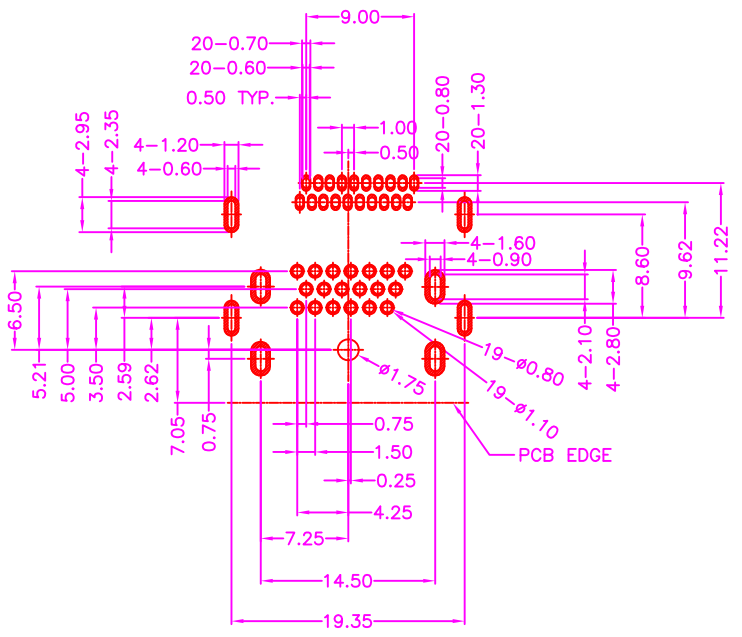
**TOLERANCES**

X.±0.40	.XX±0.20
.X±0.30	.XXX±0.10

REV.	A	DRAWN BY	Kiki 2023/8/4	TITLE	2x1 STACKED DISPLAY PORT FEMALE + HDMI FEMALE, PCB MOUNT, R/A, METAL SHIELD, H=18.90mm				
		APPROVED BY	Lion 2023/8/4	DRAW NO.	SCDPHD-004	UNIT	MM	Sheet	1/3



SCALE 2:1



P.C.B. LAYOUT  
TOP VIEW ±0.05

**ZICONN**  
ELECTRONIC CO., LTD.  
WWW.ZICONN.COM 886-3-4687695

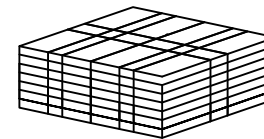
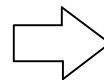
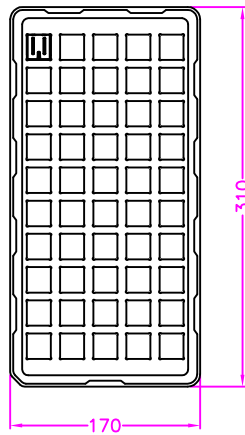
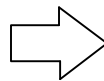
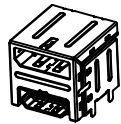
TOLERANCES	
X.±0.40	.XX±0.20
.X±0.30	.XXX±0.10

REV.	A

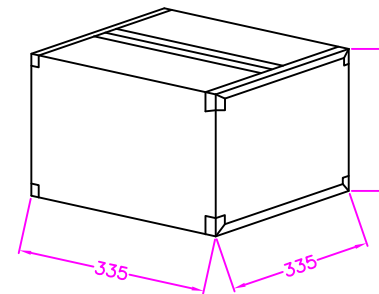
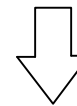
DRAWN BY	Kiki 2023/8/4
APPROVED BY	Lion 2023/8/4

TITLE	2x1 STACKED DISPLAY PORT FEMALE + HDMI FEMALE, PCB MOUNT, R/A, METAL SHIELD, H=18.90mm
DRAW NO.	SCDPHD-004

UNIT	MM	Sheet	2/3
------	----	-------	-----



20 TRAY



NOTE: 50PCS/TRAY, 1000PCS/ 20 TRAY/ CARTON