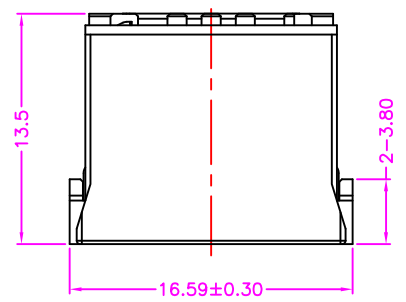


A

A



**SPECIFICATION**

**USB A TYPE**  
 CURRENT RATING:  
 7.0A FOR (1 & 4)  
 1.5A FOR (2 & 3)  
 DIELECTRIC WITHSTANDING: 500V AC FOR ONE MINUTE  
 CONTACT RESISTANCE: 30m OHMS MAX  
 INSULATION RESISTANCE: 1000M OHMS MIN AT DC 500V  
 OPERATION TEMPERATURE: -40°C~+85°C

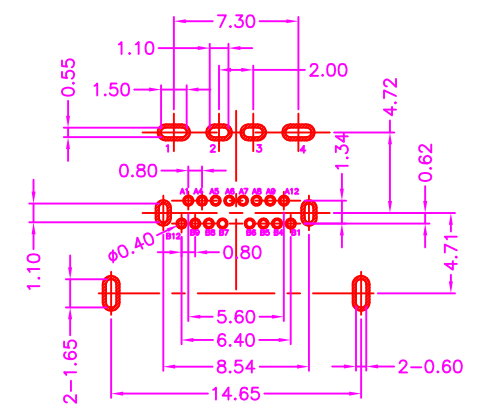
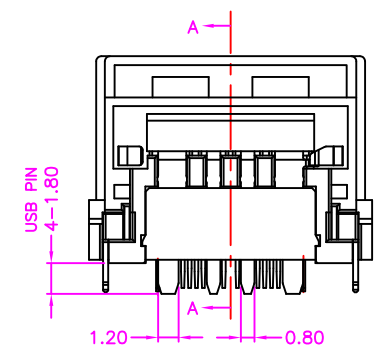
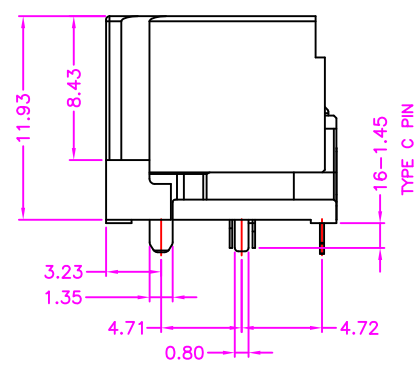
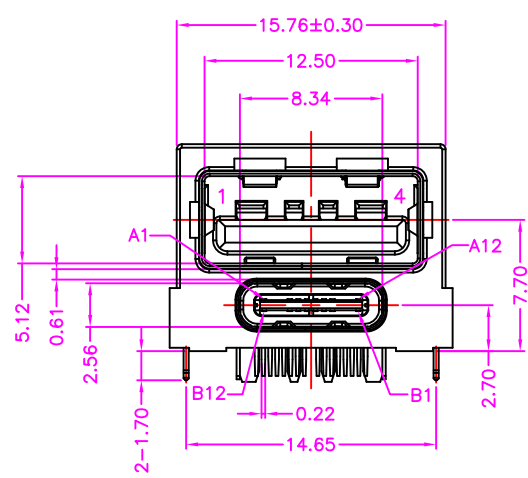
**MATERIALS**

HOUSING: LCP (UL 94V-0), ORANGE  
 USB A TYPE SHELL: SUS,  
 USB C TYPE SHELL: SUS, NICKEL PLATING  
 FORK: SUS, NICKEL PLATING  
 TERMINAL: COPPER ALLOY, GOLD PLATED CONTACT AREA  
 TIN PLATING ON SOLDER TAIL

**USB C TYPE**  
 CURRENT RATING:  
 3.0A FOR VBUS (A4,A9,B4,B9)  
 1.25A FOR GND (A1,A12,B1,B12)  
 0.25A FOR ALL THE OTHERS CONTACTS  
 DIELECTRIC WITHSTANDING: 300V AC FOR ONE MINUTE  
 CONTACT RESISTANCE: 40m OHMS MAX  
 INSULATION RESISTANCE: 100M OHMS MIN AT DC 300V  
 OPERATION TEMPERATURE: -40°C~+85°C

B

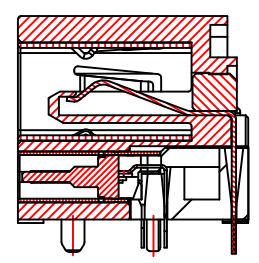
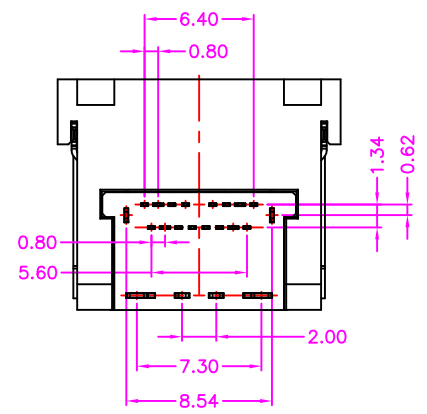
B



P.C.B. LAYOUT  
 TOP VIEW±0.05

C

C

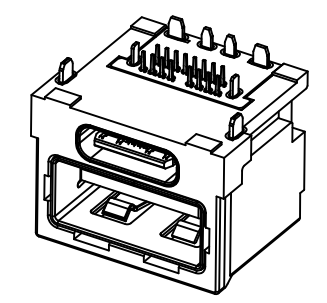


**PART NUMBER:**

BUSKC - 2 0 \* T - 1 2 1

SERIES — NO. OF POS. — CONTACT PLATED OPTION — TIN PLATING ON SOLDER TAIL — TAPE REEL PACKAGE

- CONTACT PLATED OPTION
- 1: GOLD FLASH
  - 3: 3u" GOLD
  - 5: 5u" GOLD
  - 6: 10u" GOLD
  - 7: 15u" GOLD
  - 9: 30u" GOLD



D

D

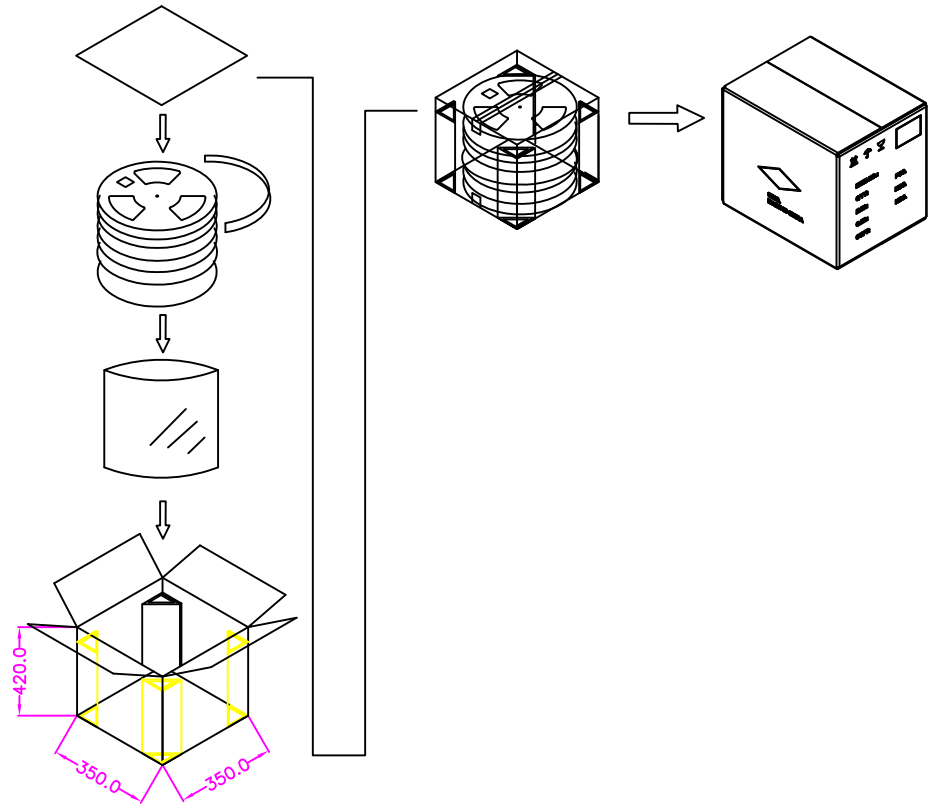
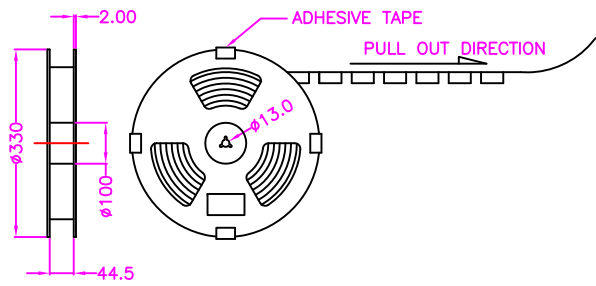
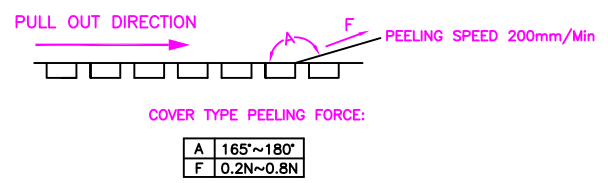
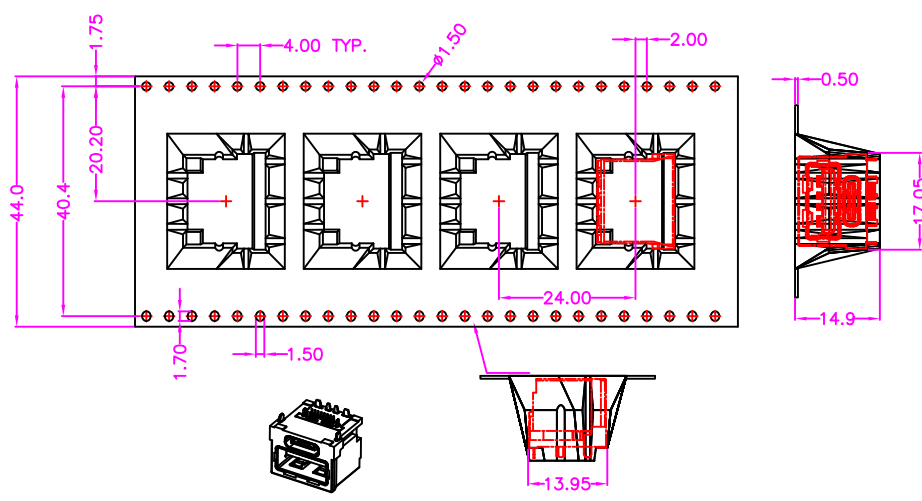
ZICONN  
 ELECTRONIC CO., LTD.  
 WWW.ZICONN.COM 886-3-4687695

TOLERANCES	
X.±0.40	.XX±0.20
.X±0.30	.XXX±0.10

REV.	A

DRAWN BY	Kiki 2023/10/17
APPROVED BY	Lion 2023/10/17

TITLE	STACKED USB C TYPE 16PIN FEMALE + USB A TYPE FEMALE, PCB MOUNT, R/A				
DRAW NO.	BUSKC-001	UNIT	MM	Sheet	1/2

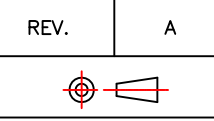


NOTE: 170PCS/ REEL, 1360PCS/ 8 REEL/ CARTON



TOLERANCES

X	±0.40	.XX	±0.20
.X	±0.30	.XXX	±0.10



DRAWN BY Kiki 2023/10/17

APPROVED BY Lion 2023/10/17

TITLE	STACKED USB C TYPE 16PIN FEMALE + USB A TYPE FEMALE, PCB MOUNT, R/A				
DRAW NO.	BUSKC-001	UNIT	MM	Sheet	2/2