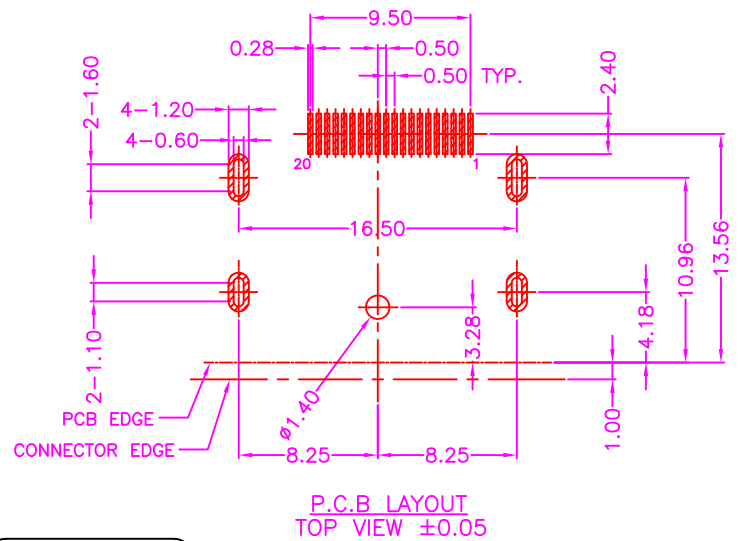
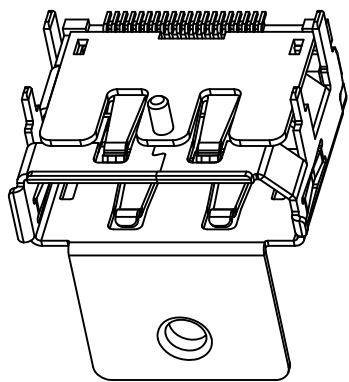
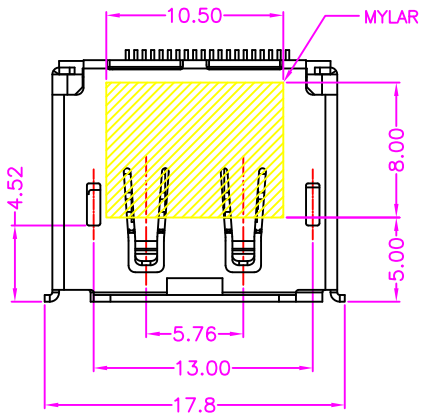


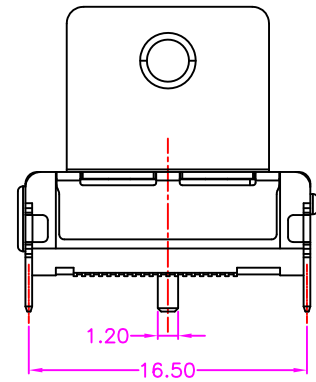
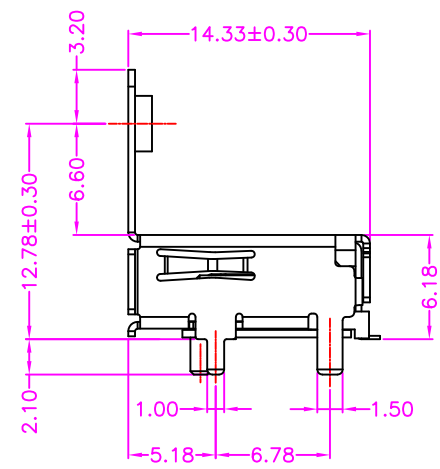
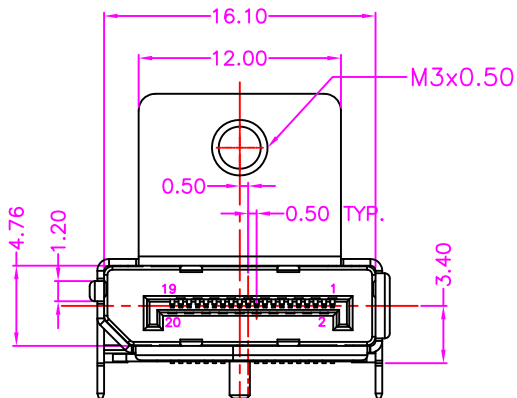
1 2 3 4 5 6

A



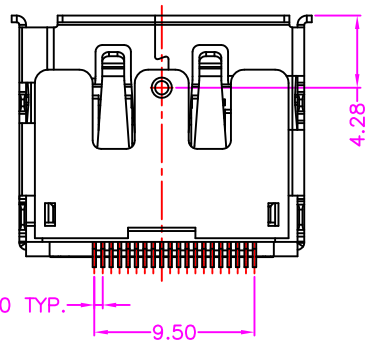
A

B



B

C



MATERIALS

HOUSING: HI-TEMP. PLASTIC (UL 94V-0), BLACK
SHELL: COPPER ALLOY, NICKEL PLATING
TERMINAL: COPPER ALLOY, GOLD PLATING ON CONTACT AREA
TIN PLATING ON SOLDER TAIL

SPECIFICATION

CURRENT RATING: 0.5 AMP MAX
DIELECTRIC WITHSTANDING: 500V AC FOR ONE MINUTE
CONTACT RESISTANCE: 30m OHMS MAX
INSULATION RESISTANCE: 100M OHMS MIN AT DC 100V
OPERATION TEMPERATURE: -40°C~+85°C

PART NUMBER:

BDPBD - 2 0 * T - 1 2 2

SERIES ————
NO. OF POS. ————
TIN PLATING ON SOLDER TAIL ————
TAPE REEL PACKAGE ————

CONTACT PLATED OPTION

- 1: GOLD FLASH
- 3: 3u" GOLD
- 5: 5u" GOLD
- 6: 10u" GOLD
- 7: 15u" GOLD
- 9: 30u" GOLD

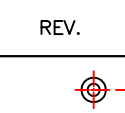
C

D

D



TOLERANCES	
X.±0.40	.XX±0.20
.X±0.30	.XXX±0.10



REV.	A	DRAWN BY	Kiki 2022/10/14	TITLE	DISPLAY PORT, PCB MOUNT, SMT, METAL SHIELD WITH EAR, FEMALE
		APPROVED BY	Lion 2022/10/14	DRAW NO.	BDPBD-002

UNIT	MM	Sheet	1/1
------	----	-------	-----

1 2 3 4 5 6

C0101