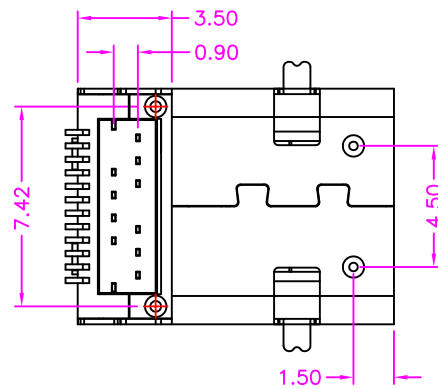
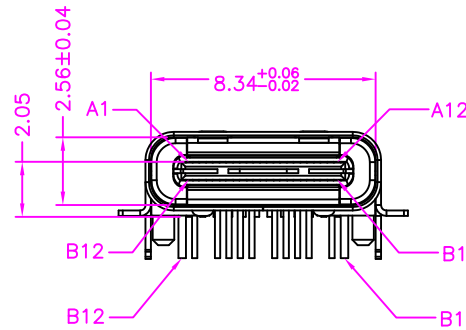
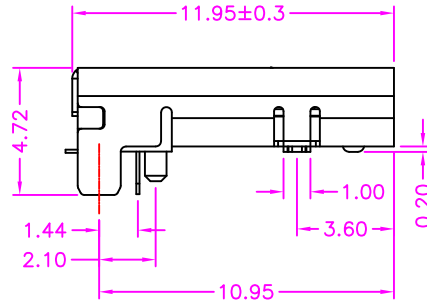
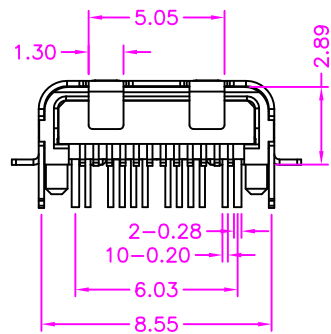


PLUG INSERT DIM.

PART NUMBER:
BUSJB - 2 4 * T - 1 2 M

SERIES — NO. OF POS. — TAPE REEL PACKAGE — TIN PLATING ON SOLDER TAIL

CONTACT PLATED OPTION
 1: GOLD FLASH
 3: 3u" GOLD
 5: 5u" GOLD
 6: 10u" GOLD
 7: 15u" GOLD
 9: 30u" GOLD

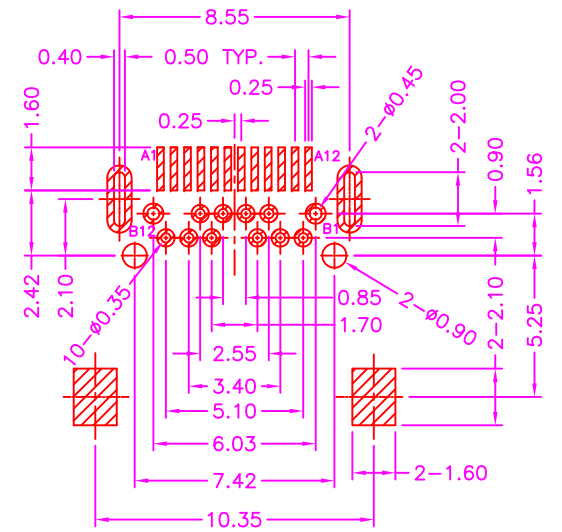


MATERIALS

HOUSING: HI-TEMP. PLASTIC (UL 94V-0), BLACK
 TOP SHELL: STAINLESS STEEL, NICKEL PLATING
 SHELL: STAINLESS STEEL, NICKEL PLATING
 TERMINAL: COPPER ALLOY, GOLD PLATED ON CONTACT AREA
 TIN PLATING ON SOLDER TAIL

SPECIFICATION

CURRENT RATING:
 1.5A FOR VBUS (A4,A9,B4,B9)
 1.25A FOR VCONN (B5)
 1.25A FOR GND (A1,A12,B1,B12)
 0.25A FOR ALL THE OTHERS CONTACTS
 DIELECTRIC WITHSTANDING: 100V AC FOR ONE MINUTE
 CONTACT RESISTANCE:
 40m OHMS MAX INITIAL
 50m OHMS MAX AFTER ENVIRONMENTAL TEST
 INSULATION RESISTANCE: 100M OHMS MIN AT DC 300V
 OPERATION TEMPERATURE: -40°C~+85°C



P.C.B. LAYOUT
 TOP VIEW±0.05



TOLERANCES
 X.±0.40 .XX±0.20
 .X±0.30 .XXX±0.10

REV. A

DRAWN BY Zhong 2021/10/27
 APPROVED BY Lion 2021/10/27

TITLE USB C TYPE, PCB MOUNT, SMT, METAL SHIELD, WITH POST, 24PIN, FEMALE
 DRAW NO. BUSJB-021 UNIT MM Sheet 1/1