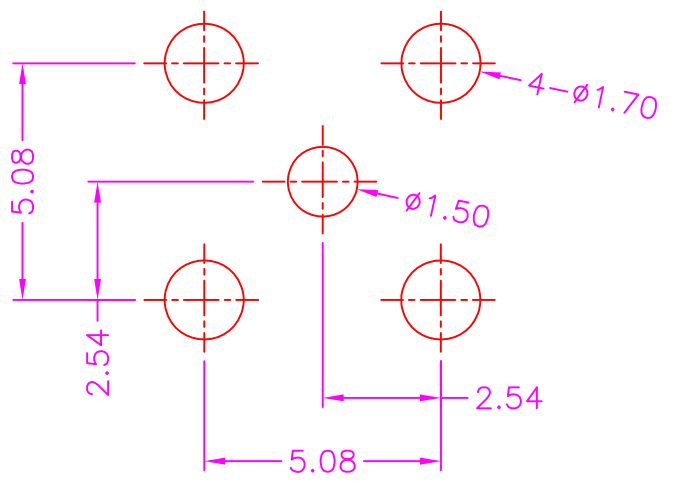


MATERIALS

HOUSING: TEFLON (UL 94V-0)
 SHELL: BRASS, GOLD PLATING
 TERMINAL: COPPER ALLOY, GOLD PLATED

SPECIFICATION

FREQUENCY RANGE: DC-18 GHz
 VSWR: 1.3 MAX.
 OPERATION TEMPERATURE: -40°C~+85°C



**P.C.B. LAYOUT
 TOP VIEW ±0.05**

PART NUMBER:

RSAAG - 5 * 1 - 1 * H

SERIES — 50 OHM — PACKAGE OPTION
 1: TRAY
 4: BAG

CONTACT PLATED OPTION

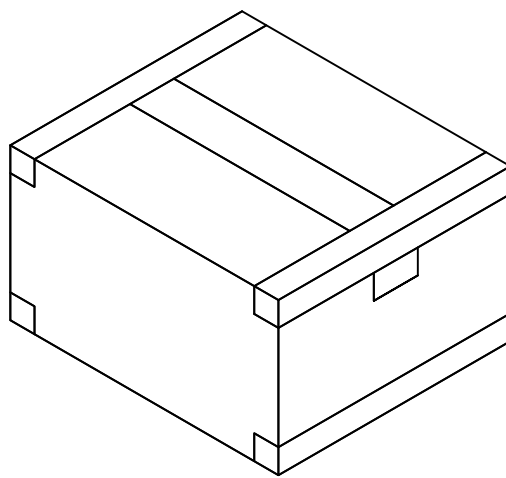
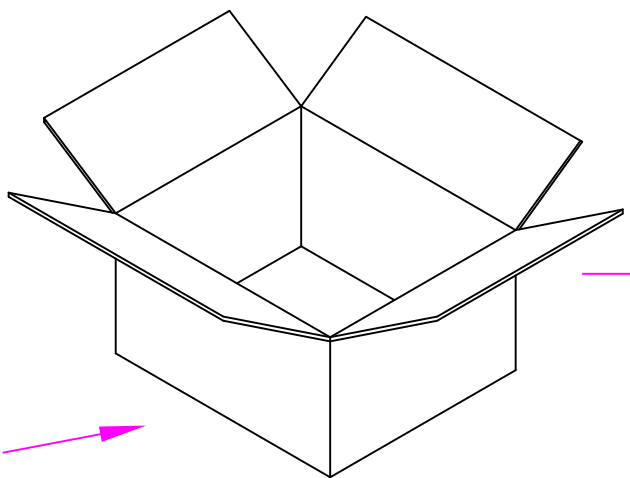
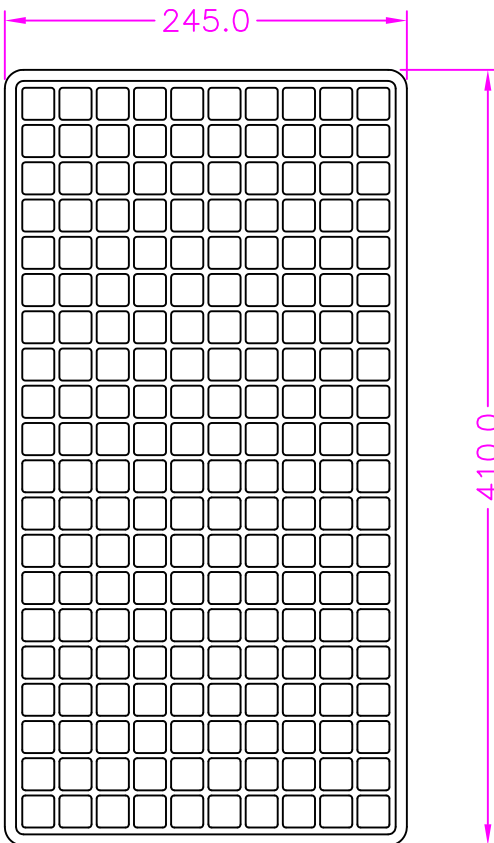
- 1: GOLD FLASH
- 3: 3u" GOLD
- 5: 5u" GOLD
- 6: 10u" GOLD
- 7: 15u" GOLD
- 9: 30u" GOLD



TOLERANCES	
X.±0.40	.XX±0.20
.X±0.30	.XXX±0.10

REV.	A	DRAWN BY	Kiki 2023/10/12	TITLE	SMA, PCB MOUNT, VERTICAL, WITH BULKHEAD, FEMALE				
		APPROVED BY	Lion 2023/10/12	DRAW NO.	RSAAG-017	UNIT	MM	Sheet	1/2

DRAW NO.	RSAAG-017	UNIT	MM	Sheet	1/2
----------	-----------	------	----	-------	-----



NOTE: 200 PCS/ TRAY



TOLERANCES	
X.±0.40	.XX±0.20
.X±0.30	.XXX±0.10

REV.	A	DRAWN BY	Kiki 2023/10/12	TITLE	SMA, PCB MOUNT, VERTICAL, WITH BULKHEAD, FEMALE				
		APPROVED BY	Lion 2023/10/12	DRAW NO.	RSAAG-017	UNIT	MM	Sheet	2/2