

MATERIALS

HOUSING: TEFLON (UL 94V-0), WHITE
 SHELL: COPPER ALLOY, GOLD PLATING
 TERMINAL: COPPER ALLOY, GOLD PLATED

SPECIFICATION

FREQUENCY RANGE: DC-4 GHz
 VSWR: 1.5 MAX.
 OPERATION TEMPERATURE: -40°C~+85°C

PART NUMBER:

RSBBE - 5 * 1 - 1 * 5

SERIES

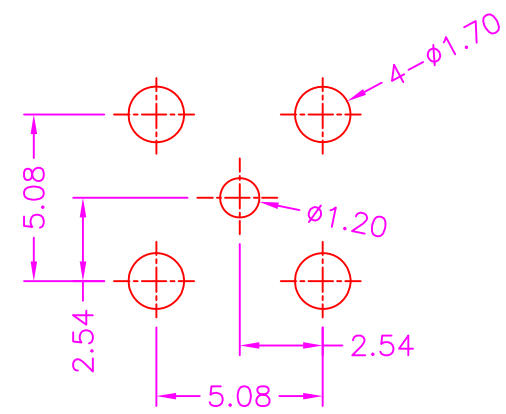
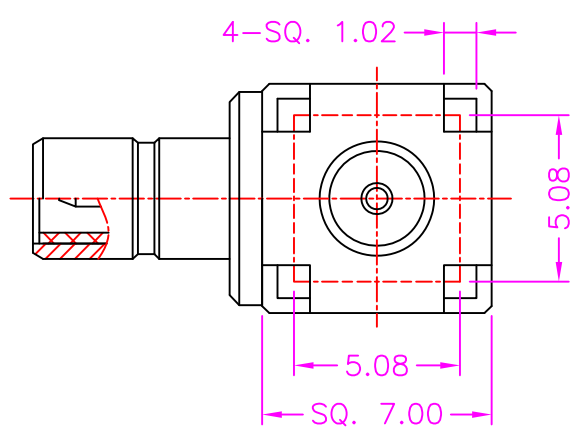
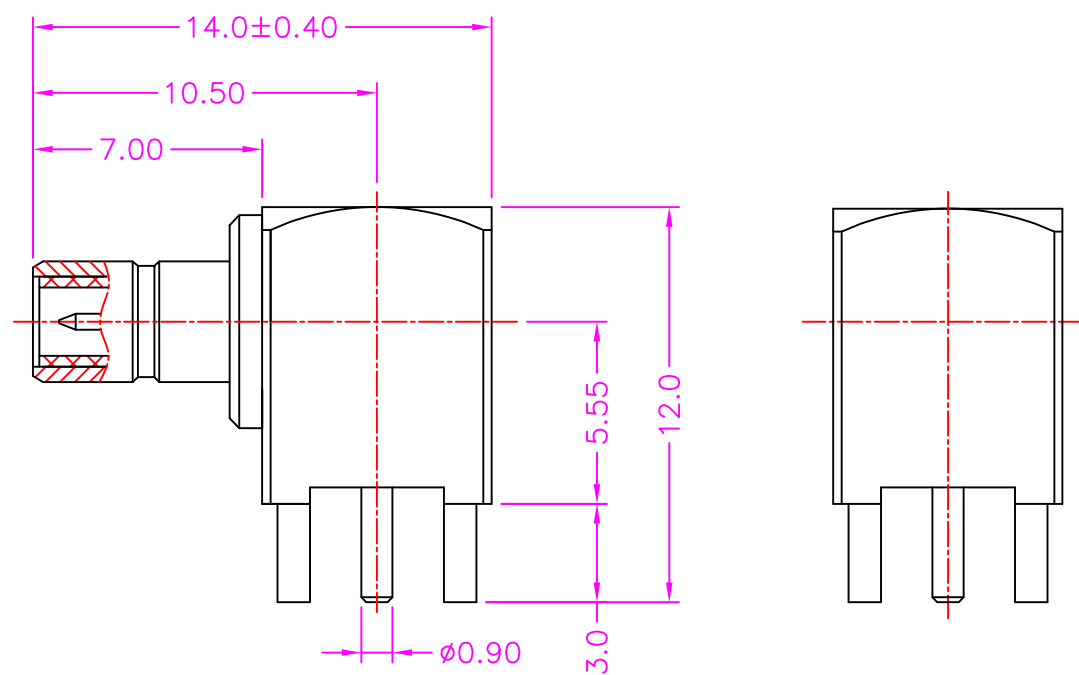
50 OHM

PACKAGE OPTION

1: TRAY
 4: BAG

CONTACT PLATED OPTION

- 1: GOLD FLASH
- 3: 3u" GOLD
- 5: 5u" GOLD
- 6: 10u" GOLD
- 9: 30u" GOLD



P.C.B. LAYOUT
 TOP VIEW ±0.05