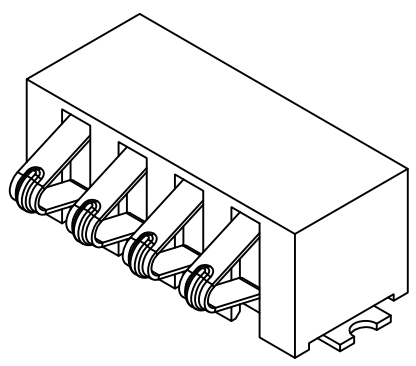
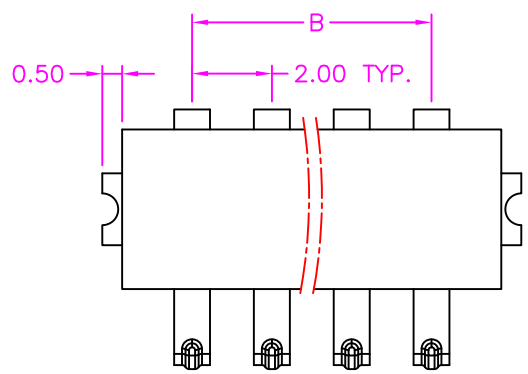


A



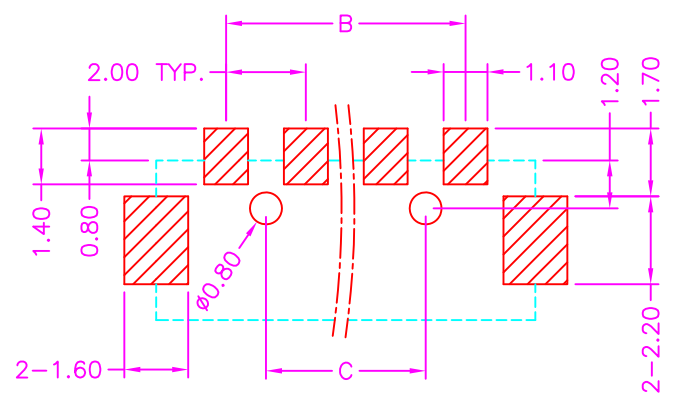
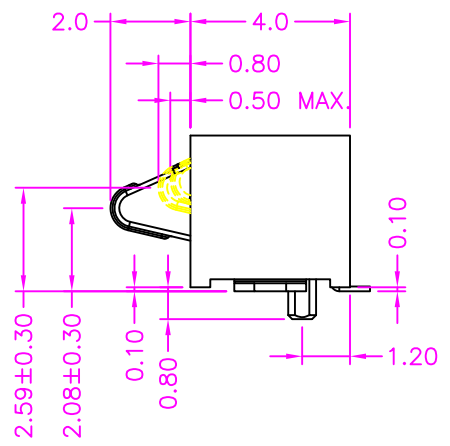
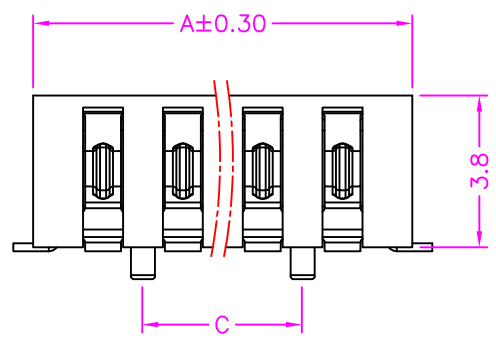
**MATERIALS**

HOUSING: HI-TEMP. PLASTIC (UL 94V-0), BLACK  
 SOLDER PAD: COPPER ALLOY, TIN PLATING  
 TERMINAL: COPPER ALLOY, GOLD PLATED

**SPECIFICATION**

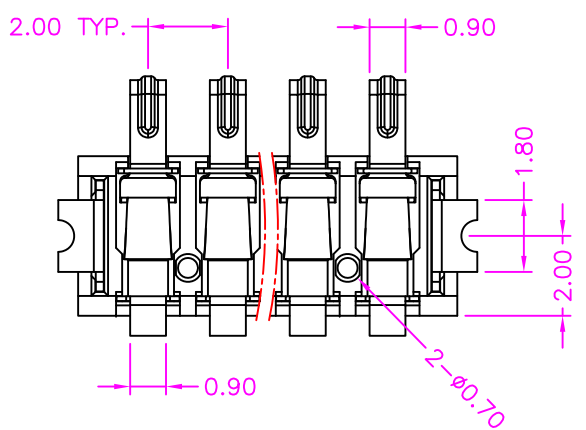
CURRENT RATING: 2 AMP MAX  
 VOLTAGE RATING: 12V MAX  
 DIELECTRIC WITHSTANDING: 500V AC FOR ONE MINUTE  
 CONTACT RESISTANCE: 50m OHMS MAX  
 INSULATION RESISTANCE: 1000M OHMS MIN AT DC 500V  
 OPERATION TEMPERATURE: -40°C~+85°C

B



P.C.B. LAYOUT  
 TOP VIEW ±0.05

C

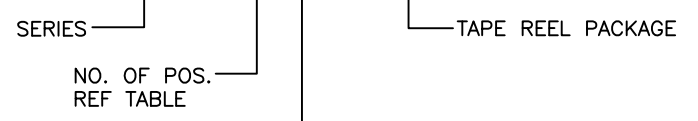


TABLE

POS.	A	B	C
03	7.5	4.0	2.0
04	9.5	6.0	4.0
05	11.5	8.0	6.0
06	13.5	10.0	8.0

**PART NUMBER:**

ABTJY - \* \* \* - 1 2 1



**CONTACT PLATED OPTION**

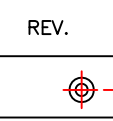
- 1: GOLD FLASH
- 3: 3u" GOLD
- 5: 5u" GOLD
- 6: 10u" GOLD
- 7: 15u" GOLD
- 9: 30u" GOLD

D

**ZICONN**  
 ELECTRONIC CO., LTD.  
 WWW.ZICONN.COM 886-3-4687695

**TOLERANCES**

X.±0.40	.XX±0.20
.X±0.30	.XXX±0.10



REV. A

DRAWN BY Kiki 2023/11/3  
 APPROVED BY Lion 2023/11/3

TITLE  
 DRAW NO.

BATTERY, 2.00mm PITCH, PCB MOUNT, R/A SMT, WITH POST & PAD, FEMALE				
ABTJY-001	UNIT	MM	Sheet	1/1