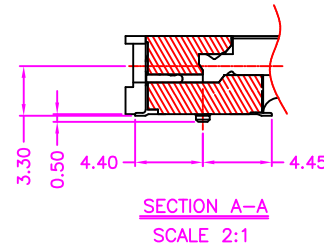
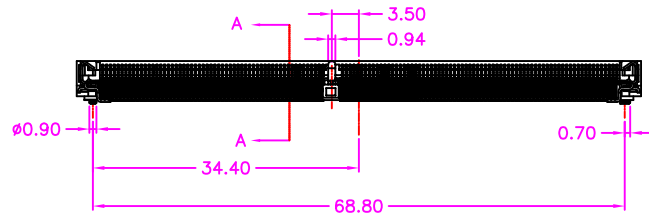


MATING: ① INSERTING(25°) ② ROTATING ③ FIXED  
 UNMATING: ④ UNFIXED ⑤ ROTATING ⑥ WITHDRAWING



**MATERIALS**

HOUSING: LCP (UL 94V-0), BLACK  
 LATCH: STAINLESS STEEL  
 SOLDER PAD: STAINLESS STEEL, GOLD PLATING  
 TERMINAL: COPPER ALLOY, GOLD PLATED

**SPECIFICATION**

CURRENT RATING: 0.5 AMP MAX  
 DIELECTRIC WITHSTANDING: 250V AC FOR ONE MINUTE  
 CONTACT RESISTANCE: 30m OHMS MAX  
 INSULATION RESISTANCE: 500M OHMS MIN AT DC 500V  
 OPERATION TEMPERATURE: -55°C~+85°C

**PART NUMBER:**

MMSVF - 2 6 0 \* - 1 2 2

SERIES — NO. OF POS. — TAPE REEL PACKAGE

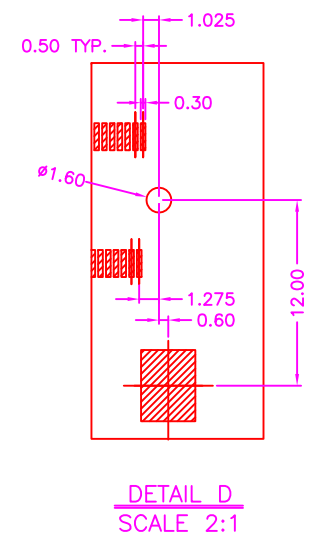
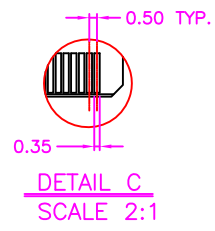
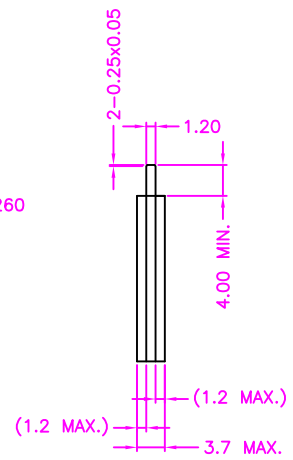
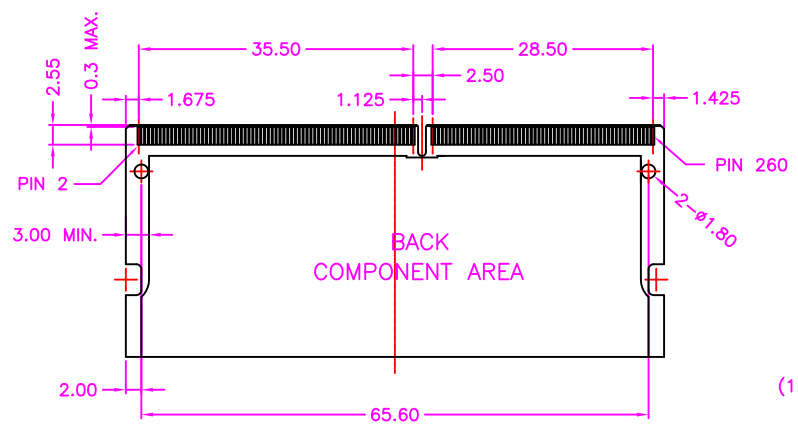
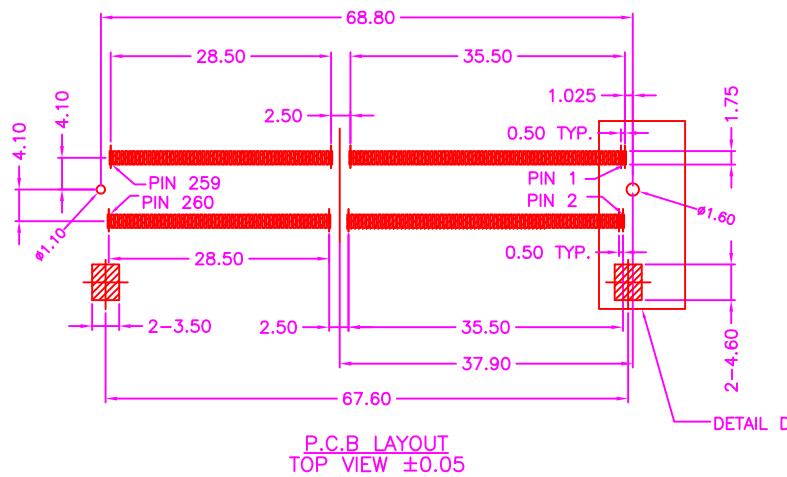
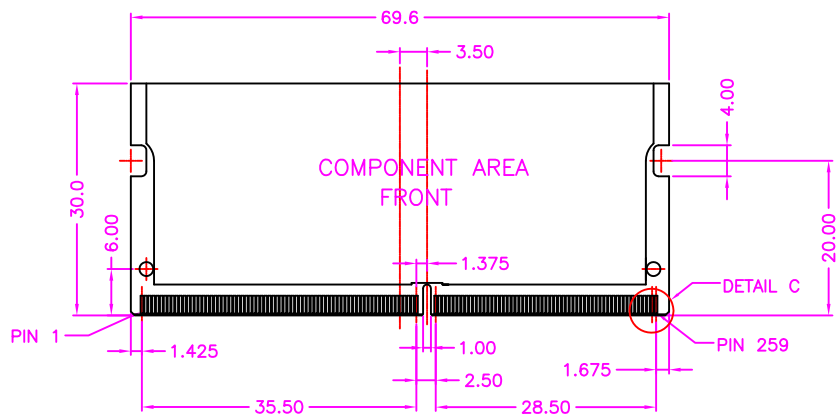
**CONTACT PLATED OPTION**

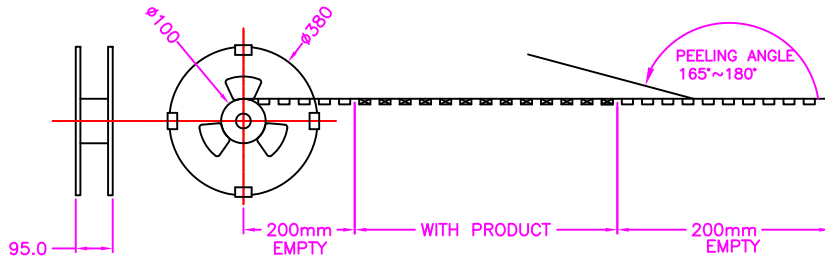
- 1: GOLD FLASH
- 3: 3u" GOLD
- 5: 5u" GOLD
- 6: 10u" GOLD
- 7: 15u" GOLD
- 9: 30u" GOLD



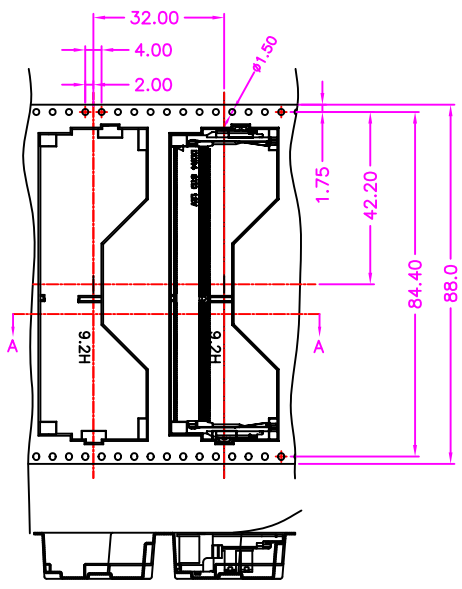
TOLERANCES	
X.±0.40	.XX±0.20
.X±0.30	.XXX±0.10

REV.	A	DRAWN BY	Mika 2023/12/18	TITLE	DDR IV S.O. DIMM SOCKET 260 PIN, 0.50mm PITCH, PCB MOUNT, SMT WITH LATCH & POST, H=5.20mm, FEMALE
		APPROVED BY	Lion 2023/12/18	DRAW NO.	MMSVF-002
		UNIT	MM	Sheet	1/3

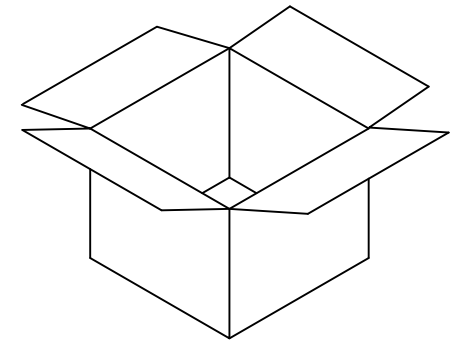
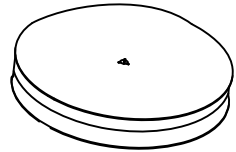




PULL OUT DIRECTION →



SECTION A-A



NOTE: 400PCS/ REEL, 800PCS/ 2 REEL/ CARTON

**Z ZICONN**  
ELECTRONIC CO., LTD.  
WWW.ZICONN.COM 886-3-4687695

TOLERANCES	
X.±0.40	.XX±0.20
.X±0.30	.XXX±0.10

REV.	A

DRAWN BY	Mika 2023/12/18
APPROVED BY	Lion 2023/12/18

TITLE	DDR IV S.O. DIMM SOCKET 260 PIN, 0.50mm PITCH, PCB MOUNT, SMT WITH LATCH & POST, H=5.20mm, FEMALE				
DRAW NO.	MMSVF-002	UNIT	MM	Sheet	3/3