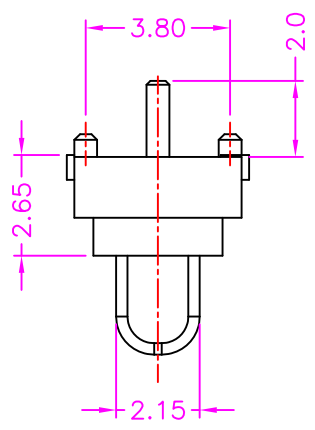
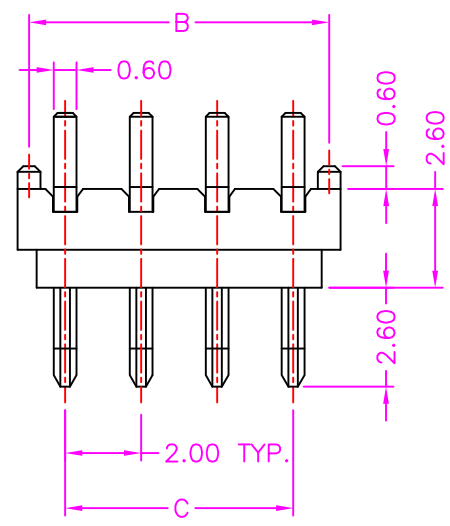


P.C.B. LAYOUT
TOP VIEW ±0.05



MATERIALS

HOUSING: LCP (UL 94V-0), BLACK
TERMINAL: COPPER ALLOY, GOLD PLATED

SPECIFICATION

CURRENT RATING: 7 AMP MAX
DIELECTRIC WITHSTANDING: 500V AC FOR ONE MINUTE
CONTACT RESISTANCE: 30m OHMS MAX
INSULATION RESISTANCE: 500M OHMS MIN AT DC 100V
OPERATION TEMPERATURE: -40°C~+85°C

PART NUMBER:

ABLPK - * * * - 2 * 1

SERIES ———
NO. OF POS. REF. TABLE ———
PACKAGE OPTION
3: TUBE
4: BAG

CONTACT PLATED OPTION

- 1: GOLD FLASH
- 3: 3u" GOLD
- 5: 5u" GOLD
- 6: 10u" GOLD
- 7: 15u" GOLD
- 9: 30u" GOLD

TABLE

POS.	A	B	C
03	6.50	5.90	4.00
04	8.50	7.90	6.00
05	10.50	9.90	8.00
06	12.50	11.90	10.00
07	14.50	13.90	12.00
08	16.50	15.90	14.00

B	MODIFY DIM.	2018.11.6
A	RELEASE	2018.10.24
REV.	DESCRIPTION	DATE

WWW.ZICONN.COM 886-3-4687695

TOLERANCES

X.±0.40	.XX±0.20
.X±0.30	.XXX±0.10

REV.	B	DRAWN BY	Zhong 2018/10/24	TITLE	LAPTOP BATTERY, 2.00mm PITCH, PCB MOUNT, ALL PLASTIC, VERTICAL SMT WITH POST, MALE
		APPROVED BY	Lion 2018/10/24	DRAW NO.	ABLPK-001

UNIT	MM	Sheet	1/1
------	----	-------	-----