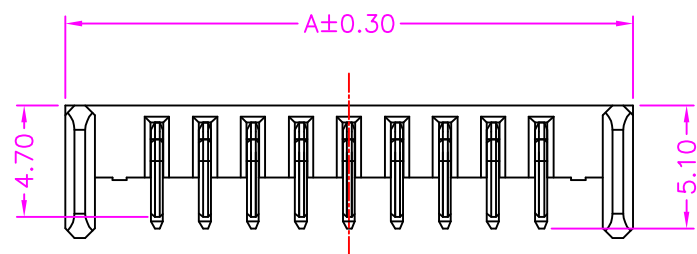


A



A=(NUMBER OF POS.)x2.00+5.65
 B=(NUMBER OF POS.)x2.00+4.26
 C=(NUMBER OF POS.)x2.00+3.15
 D=(NUMBER OF POS.-1)x2.00

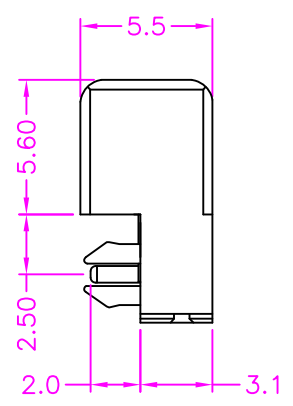
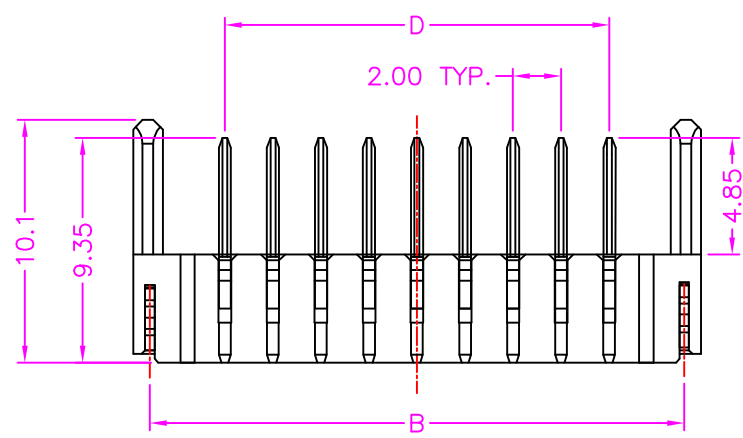
MATERIALS

HOUSING: PA9T (UL 94V-0), BLACK
 FORK: COPPER ALLOY, TIN PLATING
 TERMINAL: COPPER ALLOY, GOLD PLATED

SPECIFICATION

CURRENT RATING: 7 AMP MAX
 DIELECTRIC WITHSTANDING: 500V AC FOR ONE MINUTE
 CONTACT RESISTANCE: 30m OHMS MAX
 INSULATION RESISTANCE: 500M OHMS MIN AT DC 100V
 OPERATION TEMPERATURE: -40°C~+85°C

B



PART NUMBER:

ABLPS - * * * - 2 * 3

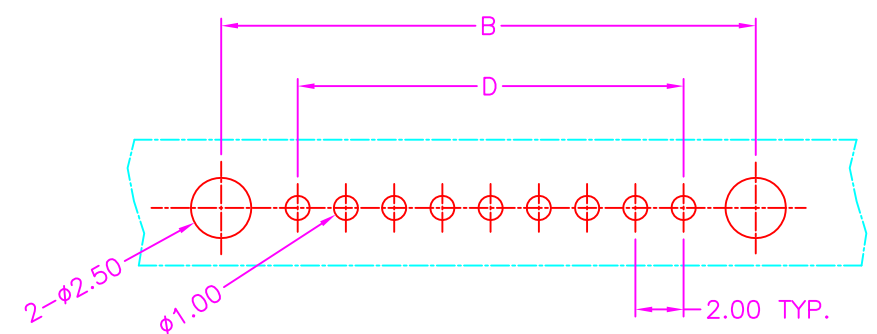
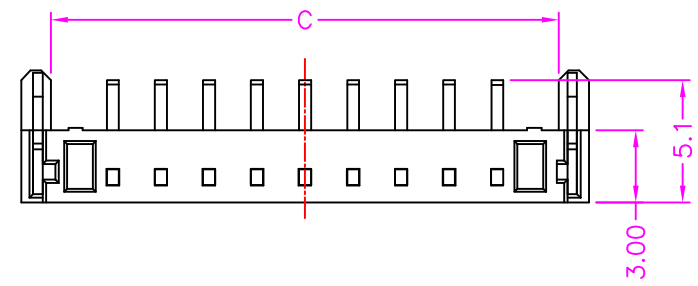
SERIES — * * * — PACKAGE OPTION
 1: TRAY
 3: TUBE

NO. OF POS.
 (04~14 POS.)

CONTACT PLATED OPTION

- 1: GOLD FLASH
- 3: 3u" GOLD
- 5: 5u" GOLD
- 6: 10u" GOLD
- 7: 15u" GOLD
- 9: 30u" GOLD

C



P.C.B LAYOUT
 TOP VIEW ±0.05

D

ZICONN
 ELECTRONIC CO., LTD.
 WWW.ZICONN.COM 886-3-4687695

TOLERANCES	
X.±0.40	.XX±0.20
.X±0.30	.XXX±0.10

REV.	A	DRAWN BY	Kiki 2023/8/24	TITLE	LAPTOP BATTERY, 2.00mm PITCH, PCB MOUNT, ALL PLASTIC R/A WITH FORK, MALE
		APPROVED BY	Lion 2023/8/24	DRAW NO.	ABLPS-003

UNIT	MM	Sheet	1/1
------	----	-------	-----