

TABLE

| P/N | LED COLOR OPTION |        |
|-----|------------------|--------|
|     | LED 1            | LED 2  |
| 1   | Green            | Yellow |
| 2   | Yellow           | Green  |
| 3   | Green            | Green  |
| 4   | Yellow           | Yellow |

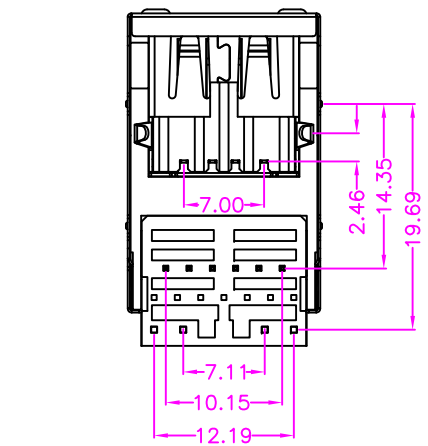
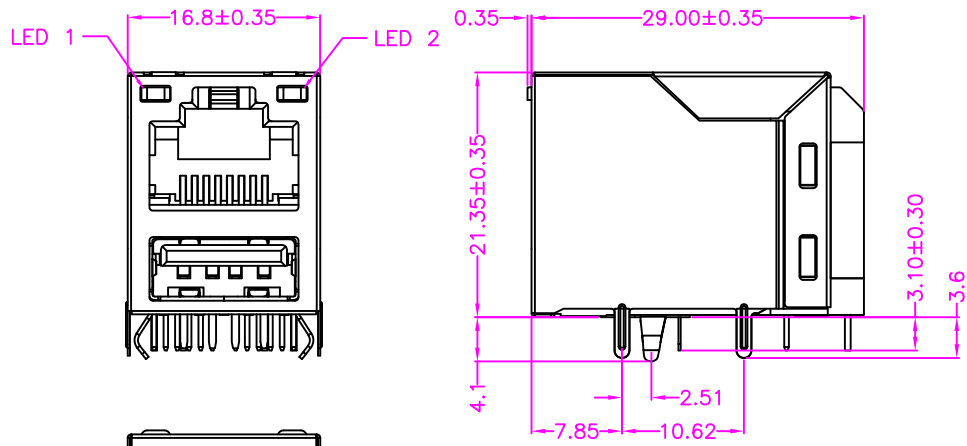
MATERIALS

HOUSING: PBT (UL 94V-0), BLACK  
 USB SHELL: SPCC, NICKEL PLATING  
 RJ45 SHELL: COPPER ALLOY, NICKEL PLATING  
 TERMINAL: COPPER ALLOY, GOLD PLATED ON CONTACT AREA  
 TIN PLATING ON SOLDER TAIL

SPECIFICATION

USB  
 CURRENT RATING: 1 AMP MAX  
 DIELECTRIC WITHSTANDING: 500V AC FOR ONE MINUTE  
 CONTACT RESISTANCE: 30m OHMS MAX  
 INSULATION RESISTANCE: 1000M OHMS MIN AT DC 500V  
 OPERATION TEMPERATURE: -40°C~+85°C

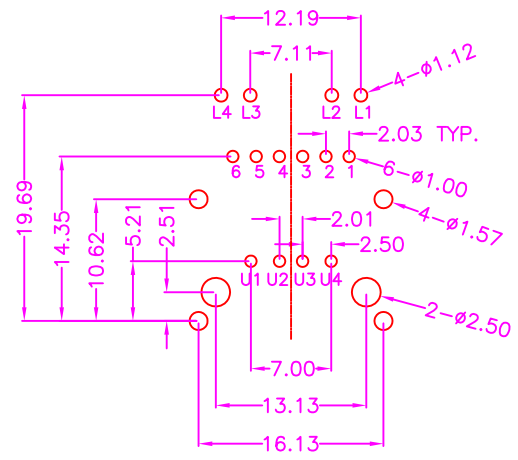
RJ45  
 CURRENT RATING: 1.5 AMP MAX  
 DIELECTRIC WITHSTANDING: 500V AC FOR ONE MINUTE  
 CONTACT RESISTANCE: 30m OHMS MAX  
 INSULATION RESISTANCE: 500M OHMS MIN AT DC 500V  
 OPERATION TEMPERATURE: -40°C~+85°C



PART NUMBER:  
**SCMJUS - 2 2 \* T - 9 1 T \***

SERIES — NO. OF POS. — CONTACT PLATED OPTION — TRAY PACKAGE — LED COLOR OPTION REF. TABLE — TIN PLATING ON SOLDER TAIL

CONTACT PLATED OPTION:  
 1: GOLD FLASH  
 3: 3u" GOLD  
 5: 5u" GOLD  
 6: 10u" GOLD  
 7: 15u" GOLD  
 9: 30u" GOLD  
 11: 6u" GOLD



P.C.B LAYOUT TOP VIEW ±0.05

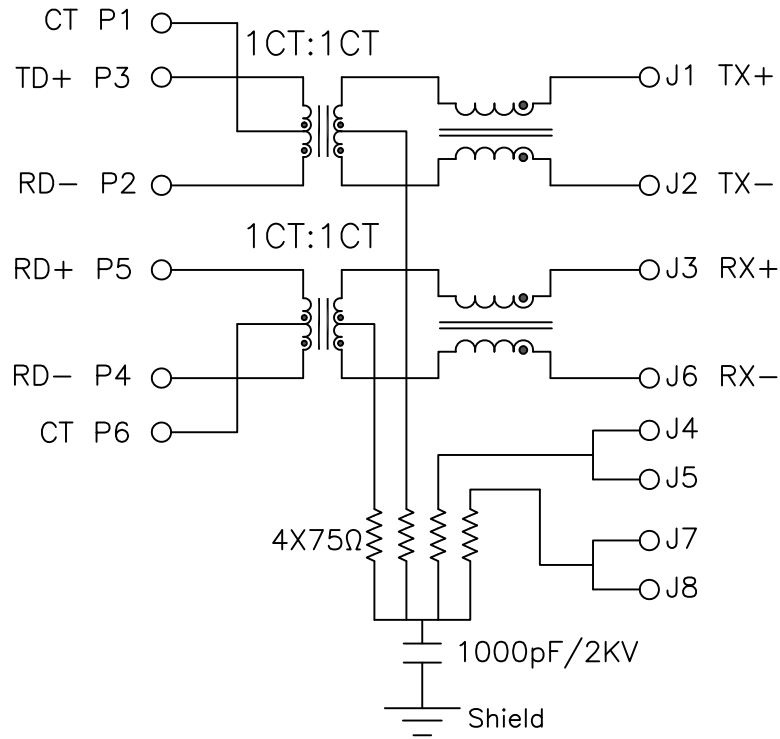
NOTE:  
 RJ45 CAVITY CONFIRMS TO FCC RULES AND REGULATIONS PART 68, SUBPART F.



| TOLERANCES |           | REV. | A | DRAWN BY    | Zhong 2021/8/13 | TITLE    | STACKED RJ45 + USB 2.0 FEMALE, PCB MOUNT, R/A METAL SHIELD, WITH LED & TRANSFORMER 10/100 |      |    |       |     |
|------------|-----------|------|---|-------------|-----------------|----------|---|------|----|-------|-----|
| X.±0.40    | .XX±0.20  |      |   | APPROVED BY | Lion 2021/8/13  | DRAW NO. | SCMJUS-102  | UNIT | MM | Sheet | 1/2 |
| .X±0.30    | .XXX±0.10 |      |   |             |                 |          |   |      |    |       |     |

PCB SIDE

RJ45 SIDE



| PARAMETER                                  | SPECIFICATIONS   |
|--|--|
| OPERATING TEMPERATURE                      | -40°C To +85°C   |
| TURNS RATIO                                | 1:1±2%   |
| INDUCTANCE(OCL)                            | 350uH MIN@100KHz/100mV With 8mA DC Bias  |
| INSERTION LOSS                             | -1.0dB MAX@1MHz-100MHz;  |
| RETURN LOSS<br>(Z <sub>out</sub> =100 OHM) | -18dB MIN@1MHz-30MHz; -16dB MIN@30MHz-60MHz;<br>-12dB MIN@60MHz-80MHz; -10dB MIN@80MHz-100MHz; |
| CROSSTALK<br>(ADJACENT CHANNELS)           | -30dB MIN@1MHz-100MHz;   |
| COMMON MODE REJECTION<br>RATIO             | -30dB MIN@1MHz-100MHz;   |
| HI-POT                                     | 2250 VDC@60 SECONDS  |

| LED SPECIFICATION |            |                |      |
|-------------------|------------|----------------|------|
| STANDARD LED      | WAVELENGTH | Forward V(max) | TYP  |
| GREEN             | 565nm      | 2.5V           | 2.2V |
| YELLOW            | 585nm      | 2.5V           | 2.1V |
| ORANGE            | 600nm      | 2.5V           | 2.1V |

