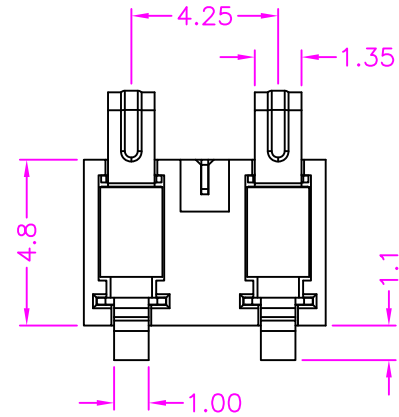
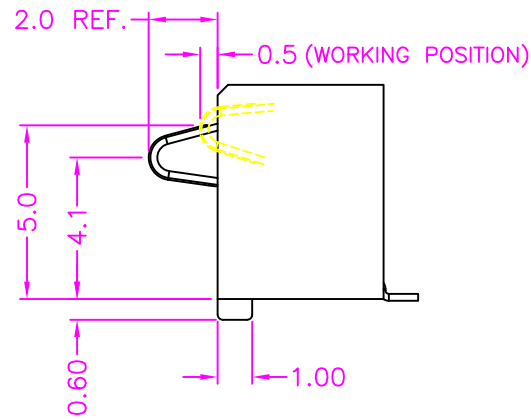
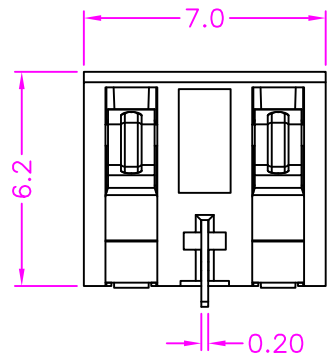
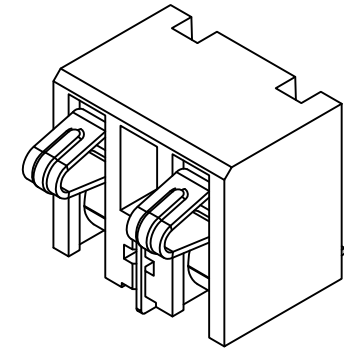


### MATERIALS

HOUSING: LCP (UL 94V-0), BLACK  
 FORK: COPPER ALLOY, TIN PLATED  
 TERMINAL: COPPER ALLOY, GOLD PLATED

### SPECIFICATION

CURRENT RATING: 5 AMP MAX  
 DIELECTRIC WITHSTANDING: 500V AC FOR ONE MINUTE  
 CONTACT RESISTANCE: 50m OHMS MAX  
 INSULATION RESISTANCE: 1000M OHMS MIN AT DC 500V  
 OPERATION TEMPERATURE: -40°C~+85°C



PART NUMBER:

ABTBZ - 0 2 \* - 1 2 1

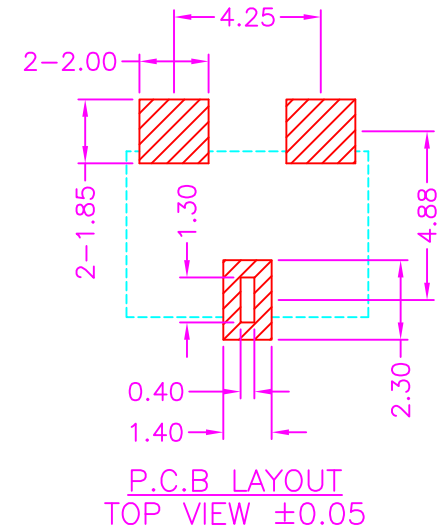
SERIES

NO. OF POS.

TAPE REEL PACKAGE

TERMINAL PLATED OPTION

- 1: GOLD FLASH
- 3: 3u" GOLD
- 5: 5u" GOLD
- 6: 10u" GOLD
- 7: 15u" GOLD
- 9: 30u" GOLD



P.C.B LAYOUT  
 TOP VIEW ±0.05