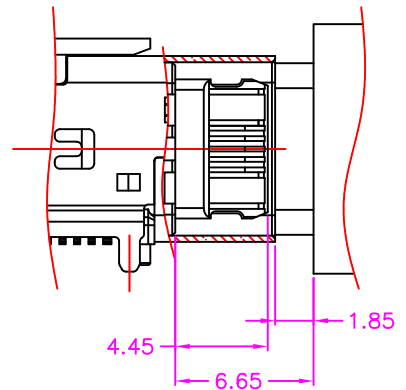
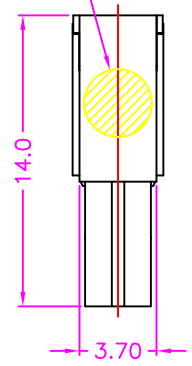
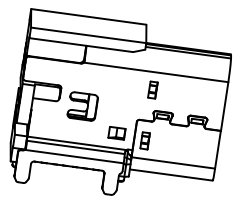


PICK UP AREA



**MATERIALS**

HOUSING: LCP (UL 94V-0), BLACK  
 SHELL: STAINLESS STEEL, NICKEL PLATING  
 TERMINAL: COPPER ALLOY, GOLD PLATED

**SPECIFICATION**

CURRENT RATING:  
 5A/PIN MAX (A4,A9,B4,B9)  
 1.25A/PIN MAX (A1,A12,B1,B12)  
 0.25A FOR ALL THE OTHERS CONTACTS  
 DIELECTRIC WITHSTANDING: 100V AC FOR ONE MINUTE  
 CONTACT RESISTANCE: 40m OHMS MAX  
 INSULATION RESISTANCE: 100M OHMS MIN AT DC 300V  
 OPERATION TEMPERATURE: -40°C~+85°C

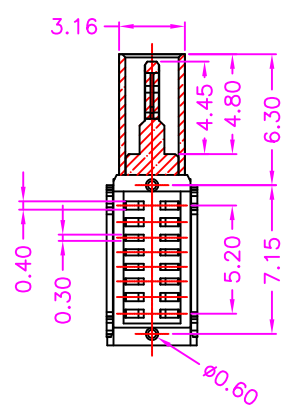
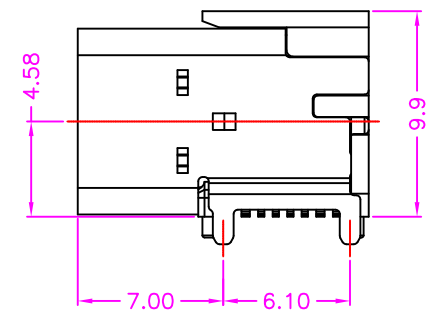
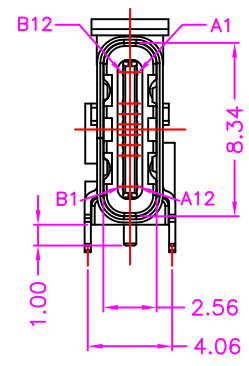
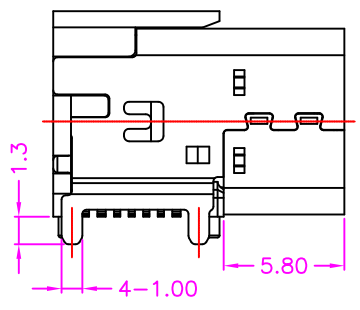
PART NUMBER:

BUSJW - 1 6 \* - 1 2 3

SERIES — NO. OF POS. — TAPE REEL PACKAGE

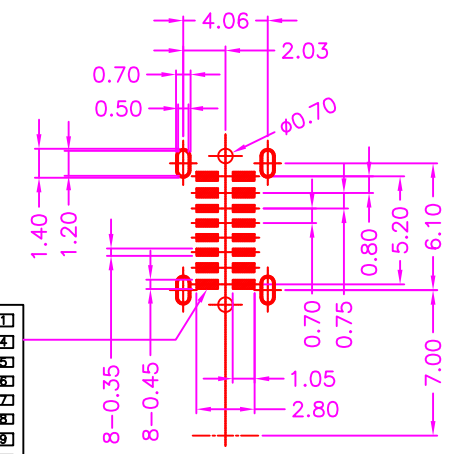
CONTACT PLATED OPTION

- 1: 1u" GOLD
- 3: 3u" GOLD
- 5: 5u" GOLD
- 6: 10u" GOLD
- 7: 15u" GOLD
- 9: 30u" GOLD



**USB TYPE C PIN ASSIGNMENTS**

PIN NUMBER	SIGNAL NAME	PIN NUMBER	SIGNAL NAME
A1	GND	B12	GND
A2		B11	
A3		B10	
A4	VBUS	B9	VBUS
A5	CC1	B8	SBU2
A6	DP1	B7	DN2
A7	DN1	B6	DP2
A8	SBU1	B5	CC2
A9	VBUS	B4	VBUS
A10		B3	
A11		B2	
A12	GND	B1	GND



[B12]	[A1]
[B9]	[A4]
[B8]	[A5]
[B7]	[A6]
[B6]	[A7]
[B5]	[A8]
[B4]	[A9]
[B1]	[A12]

P.C.B LAYOUT  
 TOP VIEW ±0.05

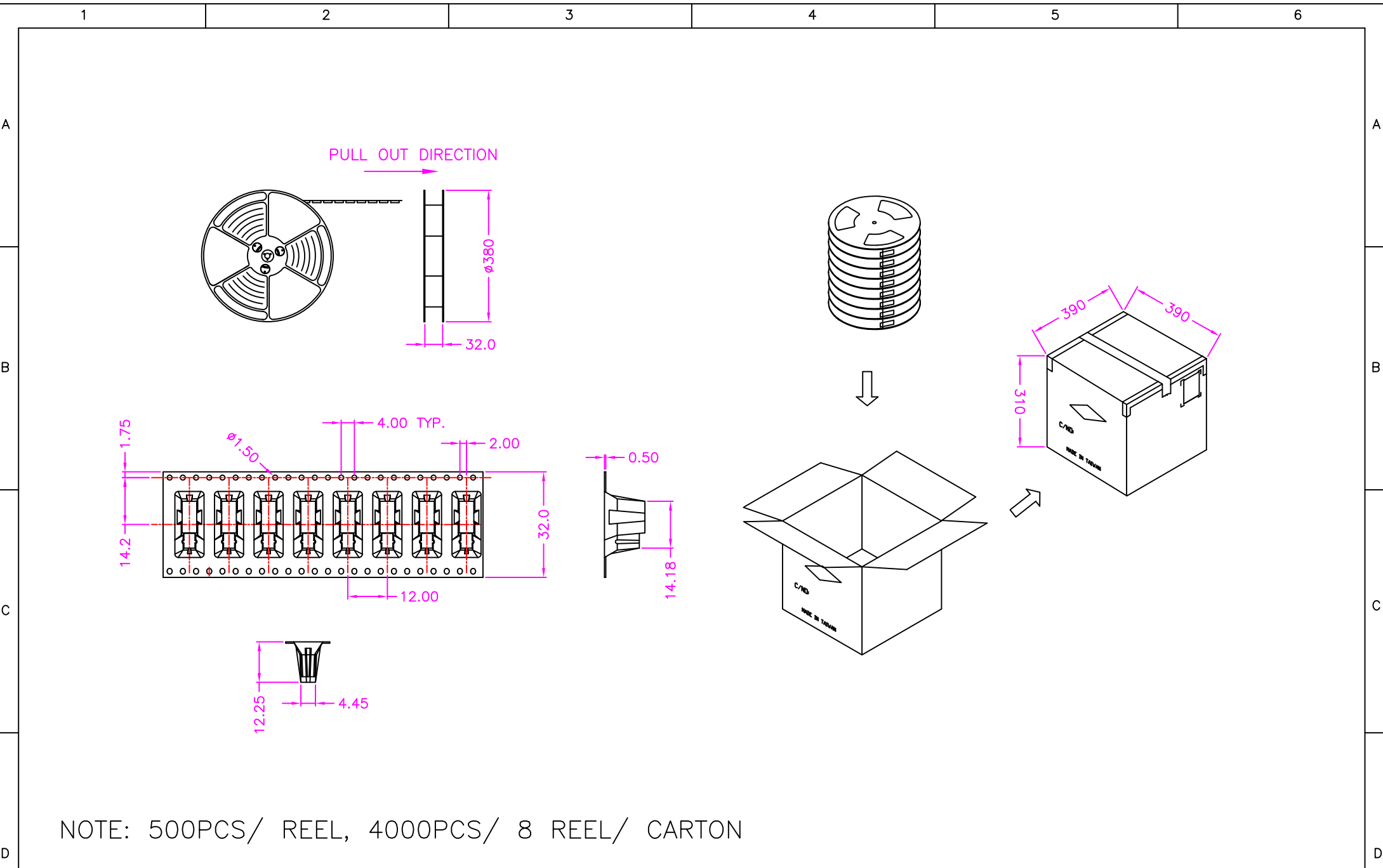
WWW.ZICONN.COM 886-3-4687695

TOLERANCES

X.±0.40	.XX±0.20
.X±0.30	.XXX±0.10

REV.	A	DRAWN BY	Mika 2024/3/19	TITLE	USB C TYPE, PCB MOUNT, UPRIGHT SMT TYPE, METAL SHIELD, 16PIN, FEMALE
		APPROVED BY	Lion 2024/3/19	DRAW NO.	BUSJW-003

UNIT	MM	Sheet	1/2
------	----	-------	-----



NOTE: 500PCS/ REEL, 4000PCS/ 8 REEL/ CARTON