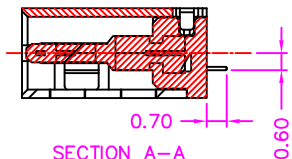


**MATERIALS**  
 HOUSING: LCP (UL 94V-0), BLACK  
 SHELL: STAINLESS STEEL, NICKEL PLATING  
 TERMINAL: COPPER ALLOY, GOLD PLATED

**SPECIFICATION**  
 CURRENT RATING: 1.0 AMP MAX  
 DIELECTRIC WITHSTANDING: 100V AC FOR ONE MINUTE  
 CONTACT RESISTANCE: 40m OHMS MAX  
 INSULATION RESISTANCE: 100M OHMS MIN AT DC 300V  
 OPERATION TEMPERATURE: -40°C ~ +85°C



PART NUMBER:  
**BUSJD - 1 6 \* - 1 2 G**

SERIES ———— NO. OF POS. ———— TAPE REEL PACKAGE

CONTACT PLATED OPTION  
 1: 1u" GOLD  
 3: 3u" GOLD  
 5: 5u" GOLD  
 6: 10u" GOLD  
 7: 15u" GOLD  
 9: 30u" GOLD

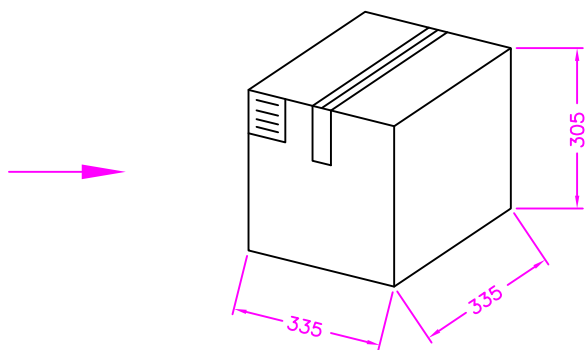
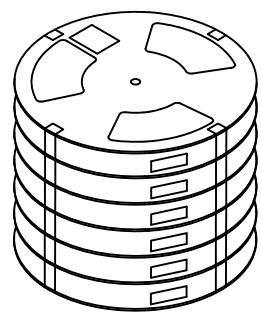
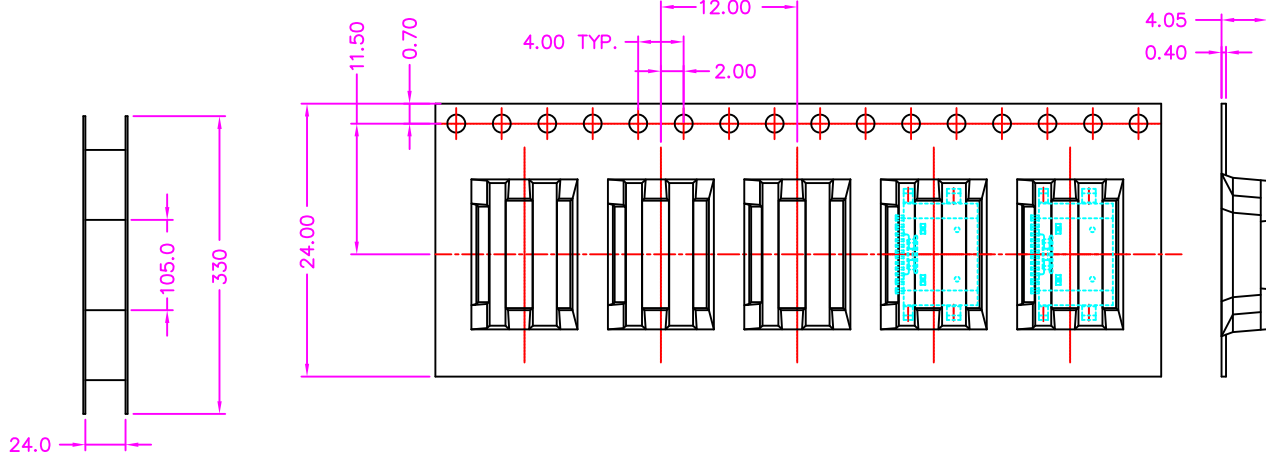
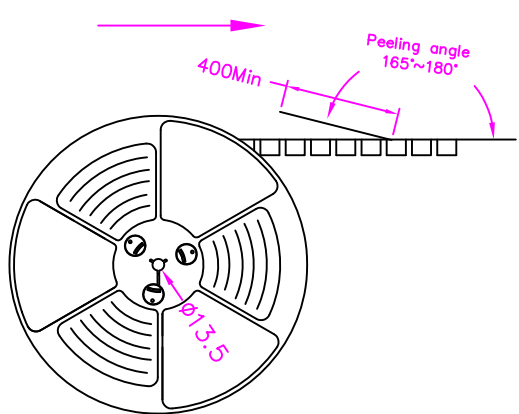
PIN ASSIGNMENTS

PIN	A1	A4	A5	A6	A7	A8	A9	A12
Signal Name	GND	V <sub>BUS</sub>	CC1	Dp1	Dn1	SBU1	V <sub>BUS</sub>	GND
PIN	B12	B9	B8	B7	B6	B5	B4	B1
Signal Name	GND	V <sub>BUS</sub>	SBU2	Dn2	Dp2	CC2	V <sub>BUS</sub>	GND



TOLERANCES	REV.	A	DRAWN BY	2023/9/11	TITLE	USB C TYPE, PCB MID MOUNT, SMT, METAL SHIELD, 16PIN, FEMALE					
X±0.40 .XX±0.20 .X±0.30 .XXX±0.10			APPROVED BY	Lion	2023/9/11	DRAW NO.	BUSJD-016	UNIT	MM	Sheet	1/2

PULL OUT DIRECTEON



NOTE: 1000PCS/REEL, 10REEL/CARTON, 10000PCS/CARTON

**Z ZICONN**  
ELECTRONIC CO., LTD.  
WWW.ZICONN.COM 886-3-4687695

TOLERANCES	
X.±0.40	.XX±0.20
.X±0.30	.XXX±0.10

REV.	A	DRAWN BY	Kiki 2023/9/11	TITLE	USB C TYPE, PCB MID MOUNT, SMT, METAL SHIELD, 16PIN, FEMALE				
		APPROVED BY	Lion 2023/9/11	DRAW NO.	BUSJD-016	UNIT	MM	Sheet	2/2

DRAWN BY	Kiki 2023/9/11	TITLE	USB C TYPE, PCB MID MOUNT, SMT, METAL SHIELD, 16PIN, FEMALE				
APPROVED BY	Lion 2023/9/11	DRAW NO.	BUSJD-016	UNIT	MM	Sheet	2/2