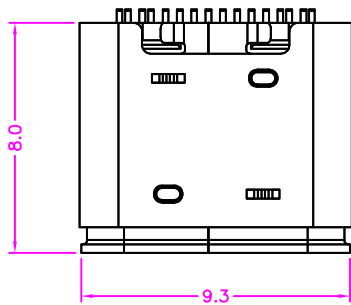


A



MATERIALS

HOUSING: HI-TEMP. PLASTIC (UL 94V-0), BLACK
 SHELL: STAINLESS STEEL, NICKEL PLATING
 TERMINAL: COPPER ALLOY, GOLD PLATED

SPECIFICATION

CURRENT RATING:
 1.5A/PIN MAX (A4,A9,B4,B9)
 1.25A/PIN MAX (A1,A12,B1,B12)
 0.25A FOR ALL THE OTHERS CONTACTS
 DIELECTRIC WITHSTANDING: 300V AC FOR ONE MINUTE
 CONTACT RESISTANCE: 40m OHMS MAX
 INSULATION RESISTANCE: 100M OHMS MIN AT DC 300V
 OPERATION TEMPERATURE: -40°C~+85°C

PART NUMBER:

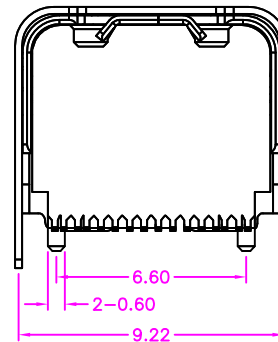
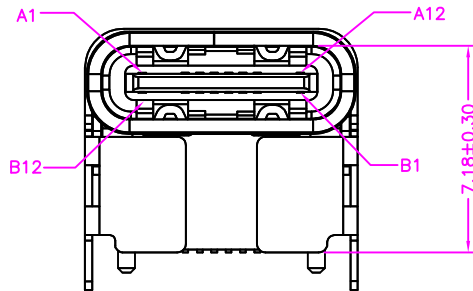
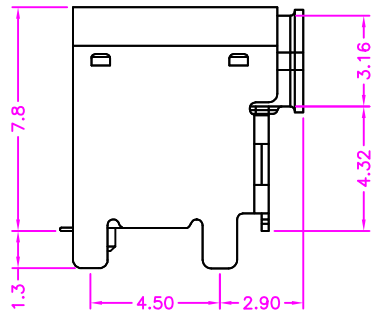
BUSJB - 1 6 * - 1 * 6

SERIES ————
 NO. OF POS. ————
 PACKAGE OPTION
 1: TRAY
 2: TAPE REEL

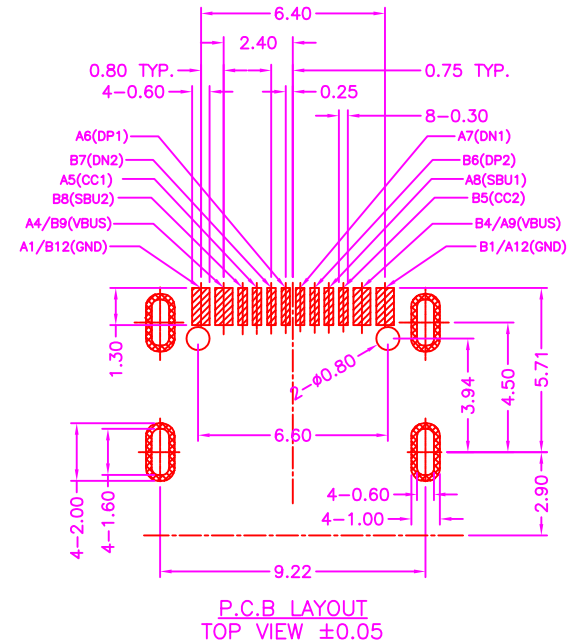
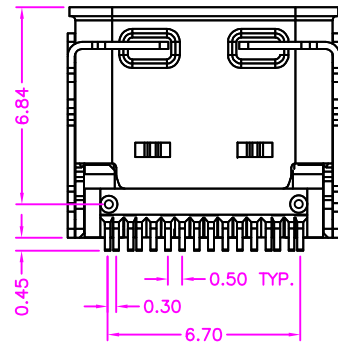
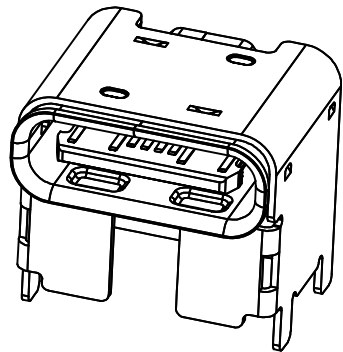
CONTACT PLATED OPTION

- 1: 1u" GOLD
- 3: 3u" GOLD
- 5: 5u" GOLD
- 6: 10u" GOLD
- 7: 15u" GOLD
- 9: 30u" GOLD

B



C

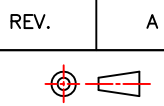


A1	GND	B12	GND
A4	VBUS	B9	VBUS
A5	CC1	B8	SBU2
A6	DP1	B7	DN2
A7	DN1	B6	DP2
A8	SBU1	B5	CC2
A9	VBUS	B4	VBUS
A12	GND	B1	GND
PIN	SIGNAL NAME	PIN	SIGNAL NAME

D



TOLERANCES
 X.±0.40 .XX±0.20
 .X±0.30 .XXX±0.10



REV. A
 DRAWN BY Zhong 2019/9/3
 APPROVED BY Lion 2019/9/3

TITLE USB C TYPE, PCB MOUNT, SMT, METAL SHIELD, 16PIN, H=7.80mm, FEMALE
 DRAW NO. BUSJB-006
 UNIT MM
 Sheet 1/1