

PART NUMBER:
BUSAN - 0 4 * T - 1 2 3 *

SERIES — NO. OF POS. — CONTACT PLATED OPTION — HOUSING COLOR OPTION
 (BLANK: BLACK, W: WHITE) — TAPE REEL PACKAGE — TIN PLATING ON SOLDER TAIL

CONTACT PLATED OPTION:
 1: GOLD FLASH
 3: 3u" GOLD
 5: 5u" GOLD
 7: 15u" GOLD
 9: 30u" GOLD

MATERIALS

HOUSING: LCP (UL 94V-0)
 CAP: LCP (UL 94V-0), BLACK
 SHELL: SPCC, NICKEL PLATING
 TERMINAL: COPPER ALLOY, GOLD PLATED ON CONTACT AREA
 TIN PLATING ON SOLDER TAIL

SPECIFICATION

CURRENT RATING: 2 AMP MAX
 DIELECTRIC WITHSTANDING: 500V AC FOR ONE MINUTE
 CONTACT RESISTANCE: 30m OHMS MAX
 INSULATION RESISTANCE: 1000M OHMS MIN AT DC 500V
 OPERATION TEMPERATURE: -40°C~+85°C



TOLERANCES

X.±0.40	.XX±0.20
.X±0.30	.XXX±0.10

REV.	A	DRAWN BY	Kiki 2023/11/2	TITLE	USB A TYPE, PCB MOUNT, VERTICAL SMT, METAL SHIELD, H=10.00mm, FEMALE				
		APPROVED BY	Lion 2023/11/2	DRAW NO.	BUSAN-003	UNIT	MM	Sheet	1/2

DRAWN BY	Kiki 2023/11/2	TITLE	USB A TYPE, PCB MOUNT, VERTICAL SMT, METAL SHIELD, H=10.00mm, FEMALE				
APPROVED BY	Lion 2023/11/2	DRAW NO.	BUSAN-003	UNIT	MM	Sheet	1/2

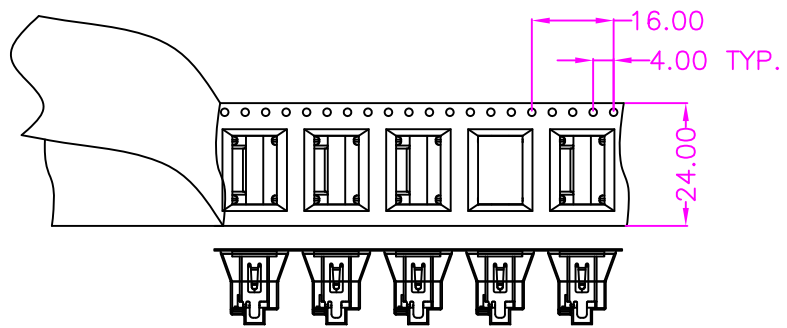
1 2 3 4 5 6

A

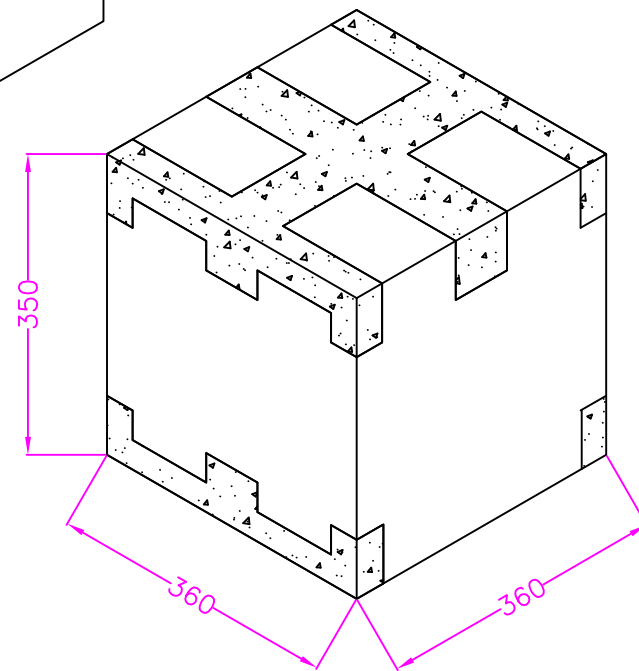
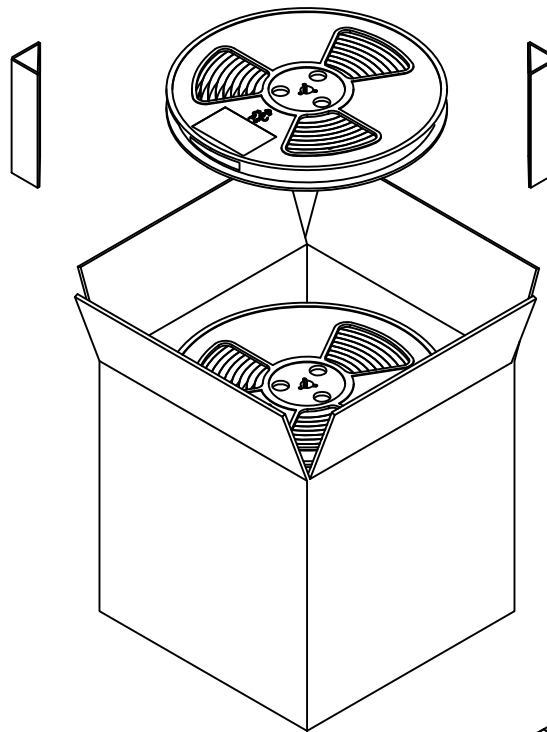
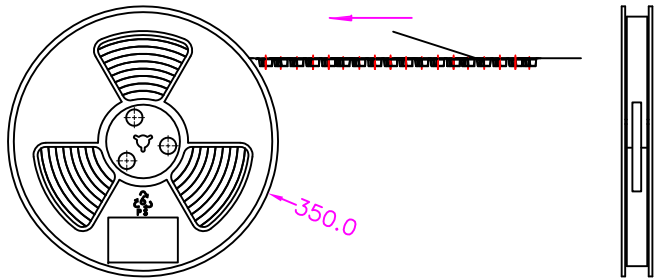
B

C

D



PULL OUT DIRECTION
→



NOTE: 400PCS/ REEL, 4800PCS/ 12 REEL/ CARTON



TOLERANCES
X.±0.40 .XX±0.20
.X±0.30 .XXX±0.10

REV. A

DRAWN BY Kiki 2023/11/2
APPROVED BY Lion 2023/11/2

TITLE USB A TYPE, PCB MOUNT, VERTICAL SMT, METAL SHIELD, H=10.00mm, FEMALE
DRAW NO. BUSAN-003 UNIT MM Sheet 2/2

1 2 3 4 5 6 C0101