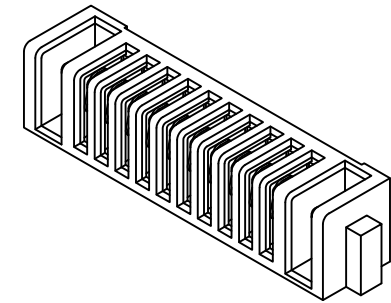


$A = (\text{NUMBER OF POS.}) \times 2.00 + 11.85$
 $B = (\text{NUMBER OF POS.}) \times 2.00 + 9.00$
 $C = (\text{NUMBER OF POS.}) \times 2.00 + 3.00$
 $D = (\text{NUMBER OF POS.} - 1) \times 2.00$

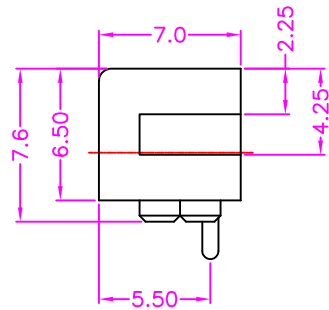
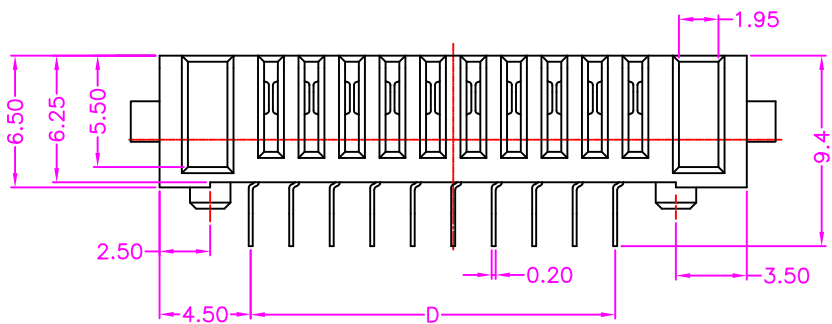


MATERIALS

HOUSING: NYLON 9T (UL 94V-0), BLACK
 TERMINAL: COPPER ALLOY, GOLD PLATED

SPECIFICATION

CURRENT RATING: 7 AMP MAX
 DIELECTRIC WITHSTANDING: 500V AC FOR ONE MINUTE
 CONTACT RESISTANCE: 30m OHMS MAX
 INSULATION RESISTANCE: 500M OHMS MIN AT DC 100V
 OPERATION TEMPERATURE: -40°C ~ +85°C



PART NUMBER:

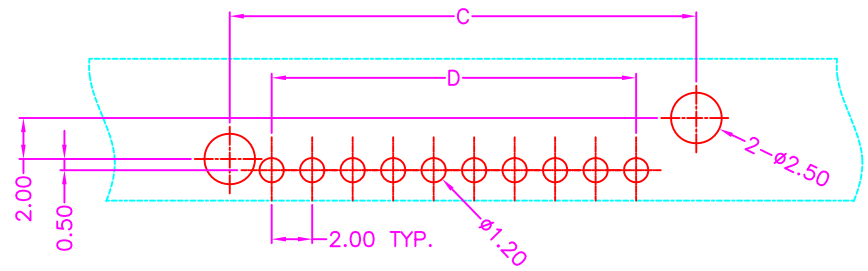
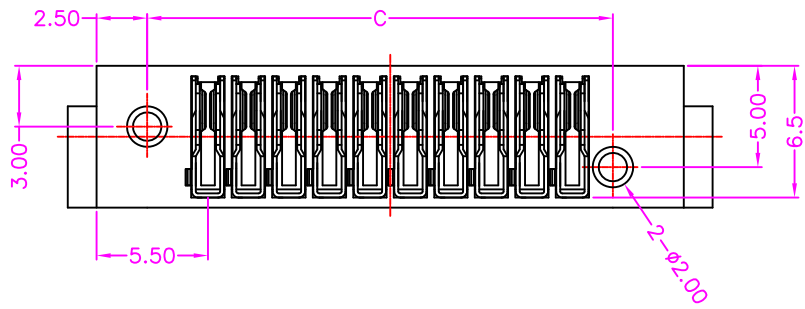
ABLPR - * * * - 1 3 3

SERIES ——— TUBE PACKAGE

NO. OF POS. (03 ~ 12 POS.)

CONTACT PLATED OPTION

- 1: GOLD FLASH
- 3: 3u" GOLD
- 5: 5u" GOLD
- 6: 10u" GOLD
- 7: 15u" GOLD
- 9: 30u" GOLD



**P.C.B. LAYOUT
TOP VIEW ±0.05**



TOLERANCES	
X.±0.40	.XX±0.20
.X±0.30	.XXX±0.10

REV.	A	DRAWN BY	Kiki 2023/8/24	TITLE	LAPTOP BATTERY, 2.00mm PITCH, PCB MOUNT, ALL PLASTIC R/A WITH POST, FEMALE				
		APPROVED BY	Lion 2023/8/24	DRAW NO.	ABLPR-003	UNIT	MM	Sheet	1/1

DRAW NO.	ABLPR-003	UNIT	MM	Sheet	1/1
----------	-----------	------	----	-------	-----